

BPF
 22pF : Q=2.9 fo=49.5MHz
 21pF : Q=3 fo=50.7MHz

AM Modulator

RF Switch

BPF fo=82.0MHz

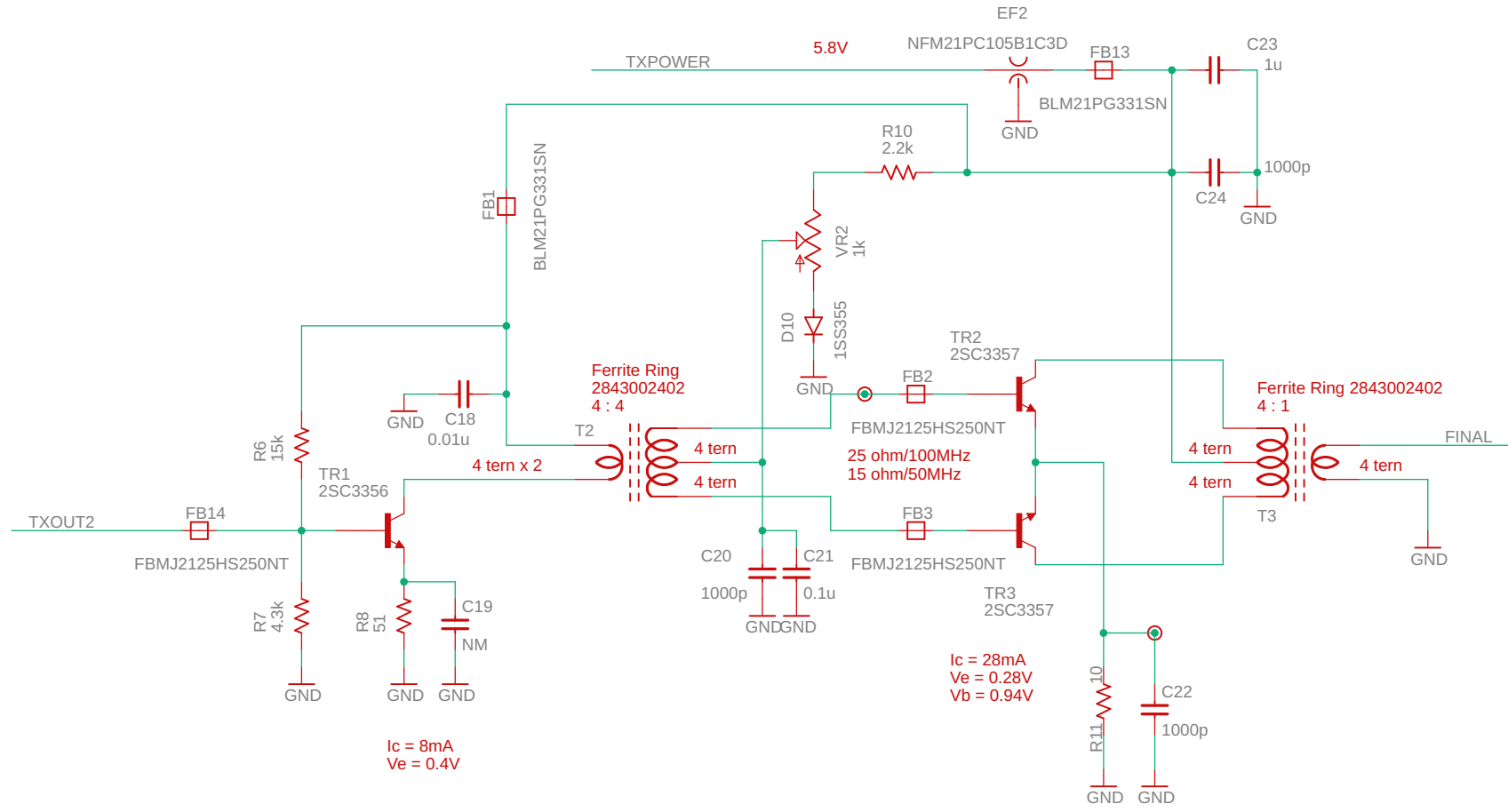
T50-10 0.8EC 7 tern
 x 2

LPF fc=62MHz

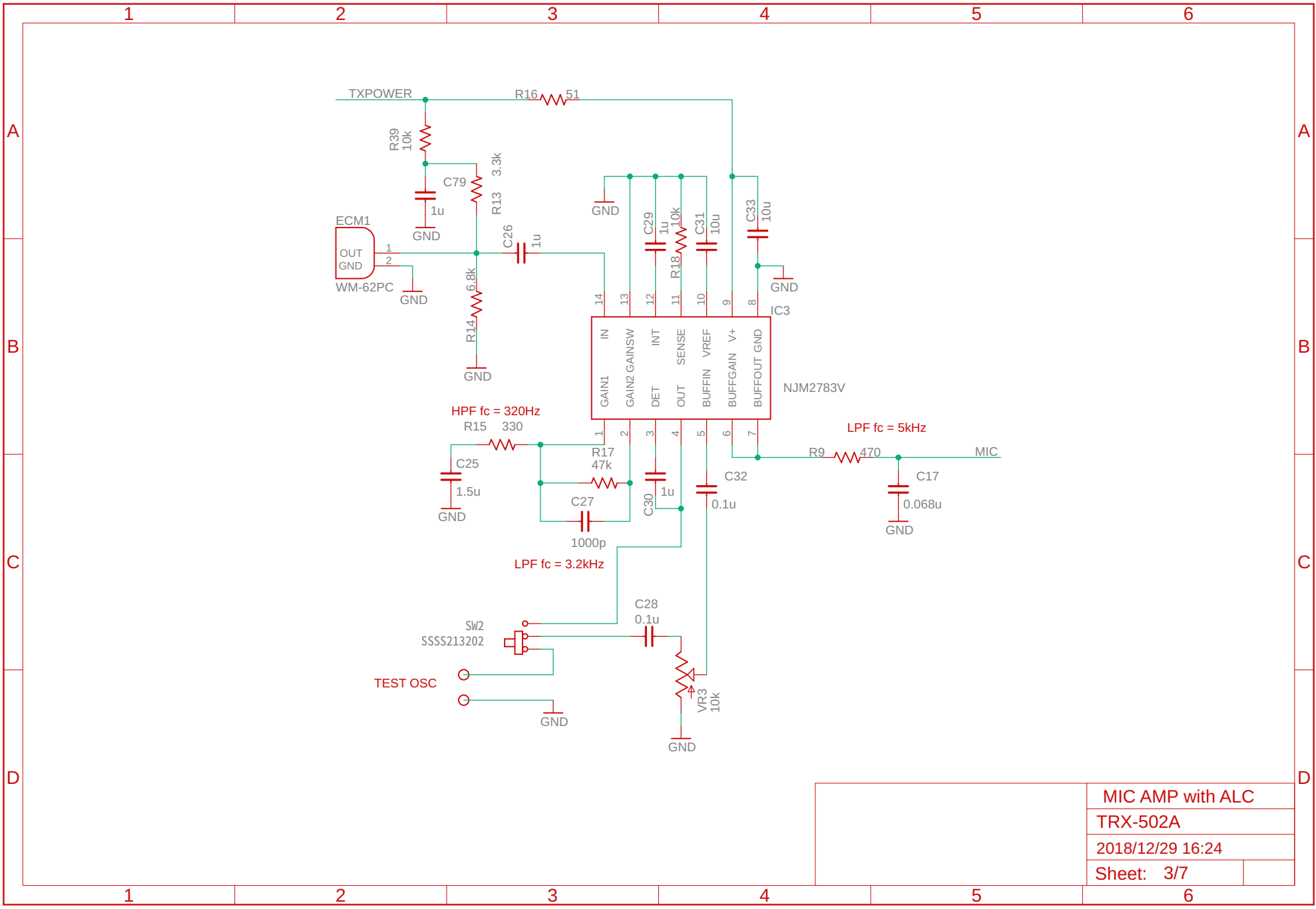
Dummy Load

Transmitter	
TRX-502A	
2018/12/29 16:24	
Sheet: 1/7	

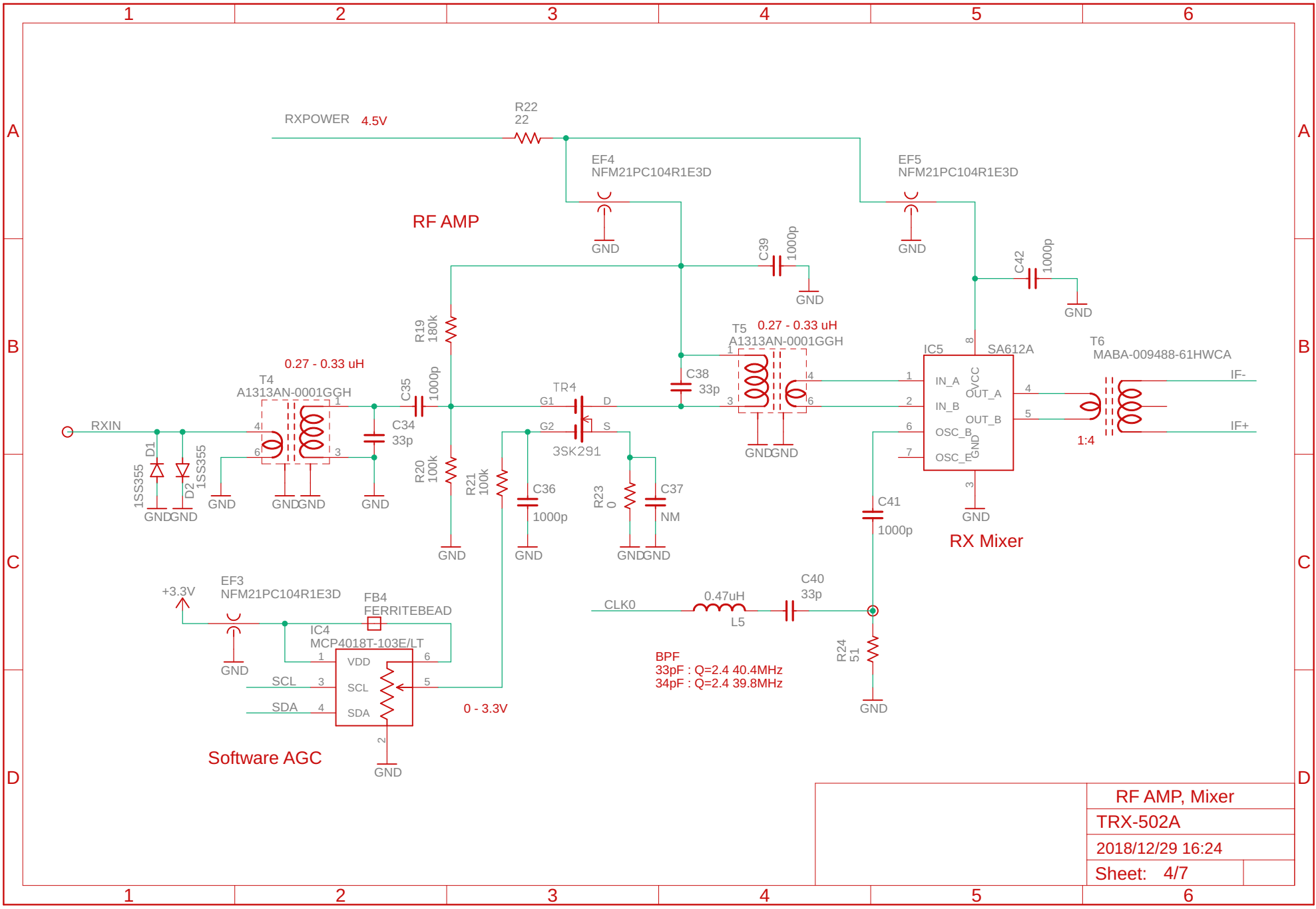
50mW Final AMP



Final AMP	
TRX-502A	
2018/12/29 16:24	
Sheet: 2/7	



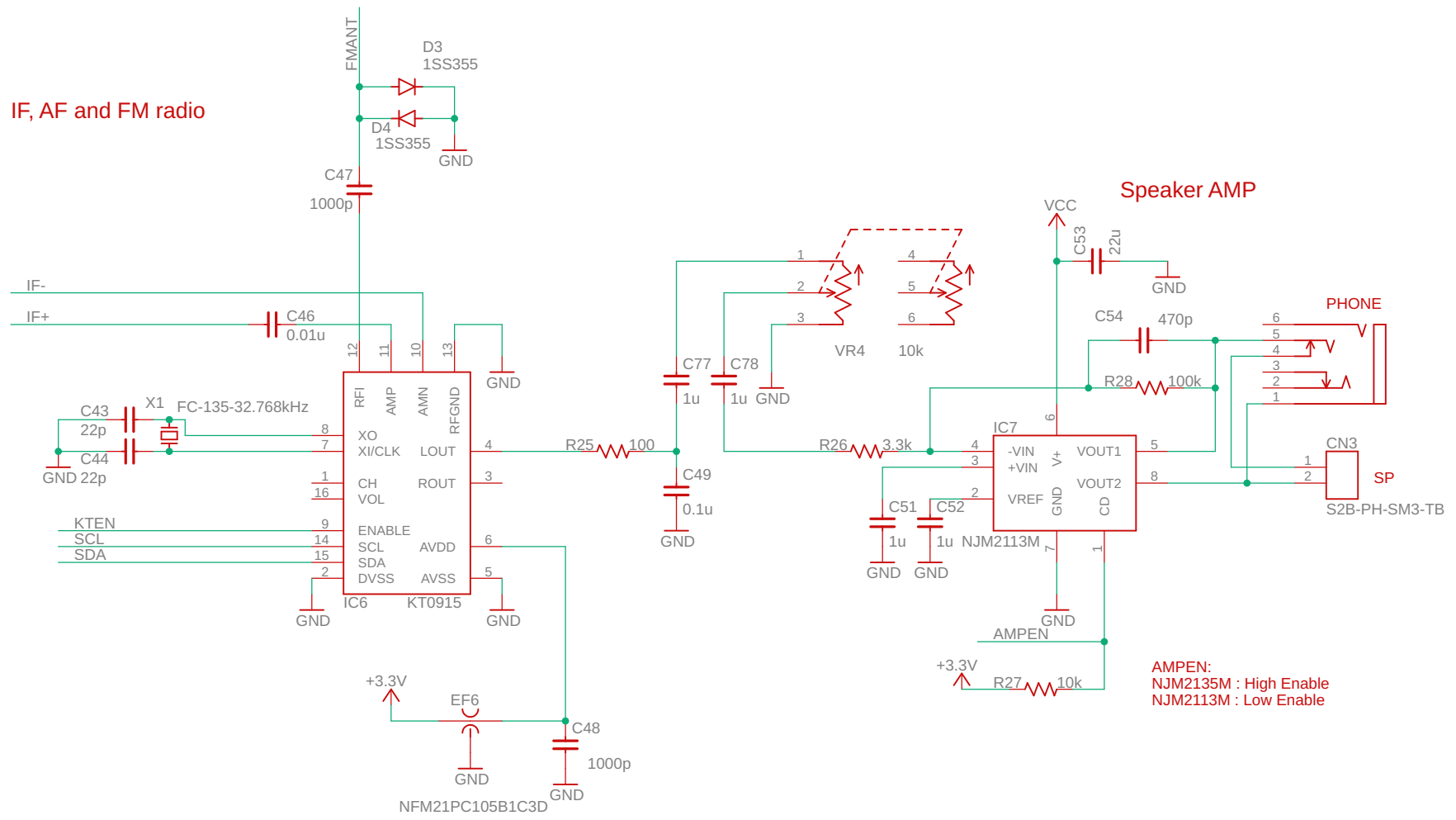
MIC AMP with ALC	
TRX-502A	
2018/12/29 16:24	
Sheet: 3/7	



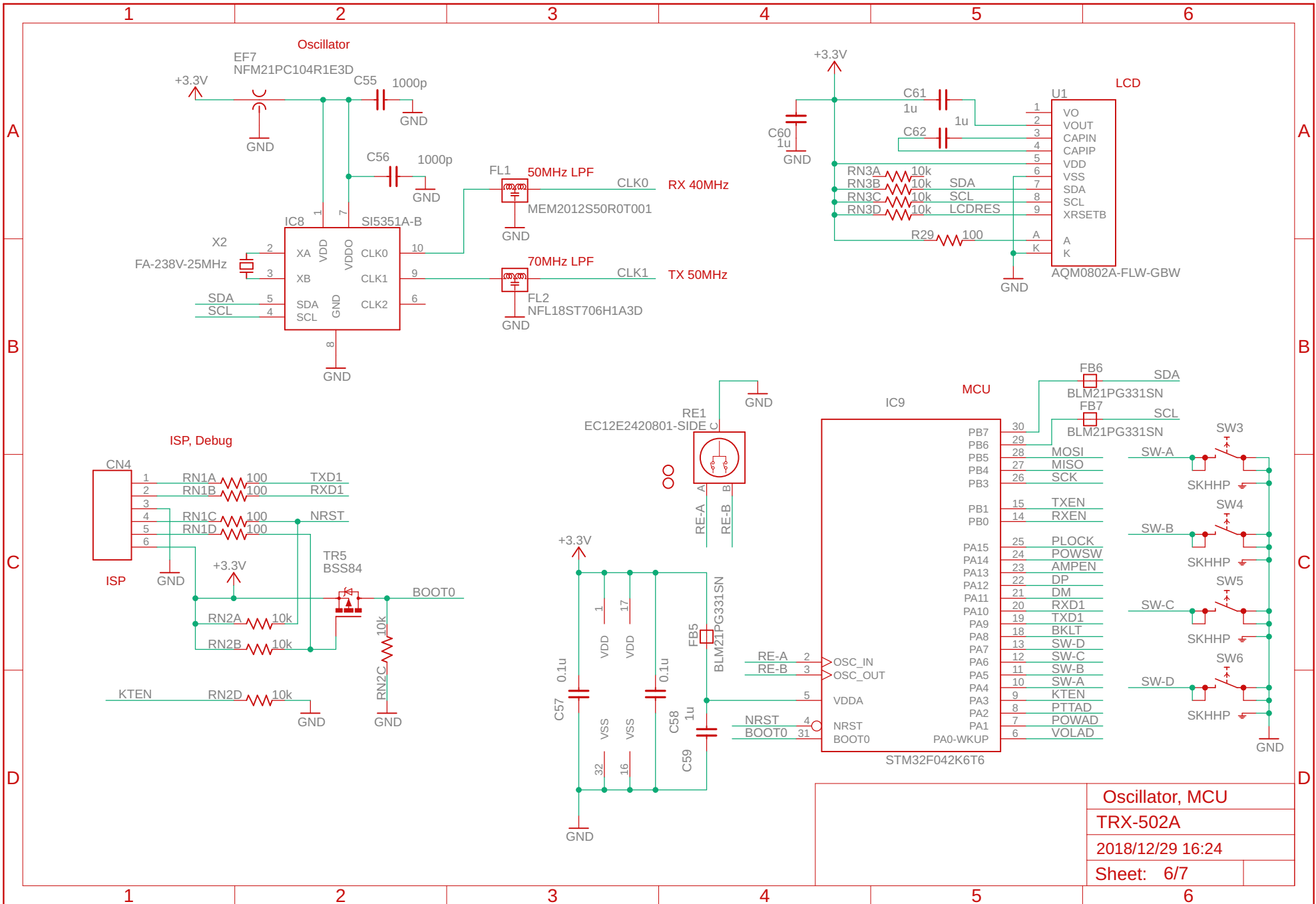
RF AMP, Mixer	
TRX-502A	
2018/12/29 16:24	
Sheet: 4/7	

IF, AF and FM radio

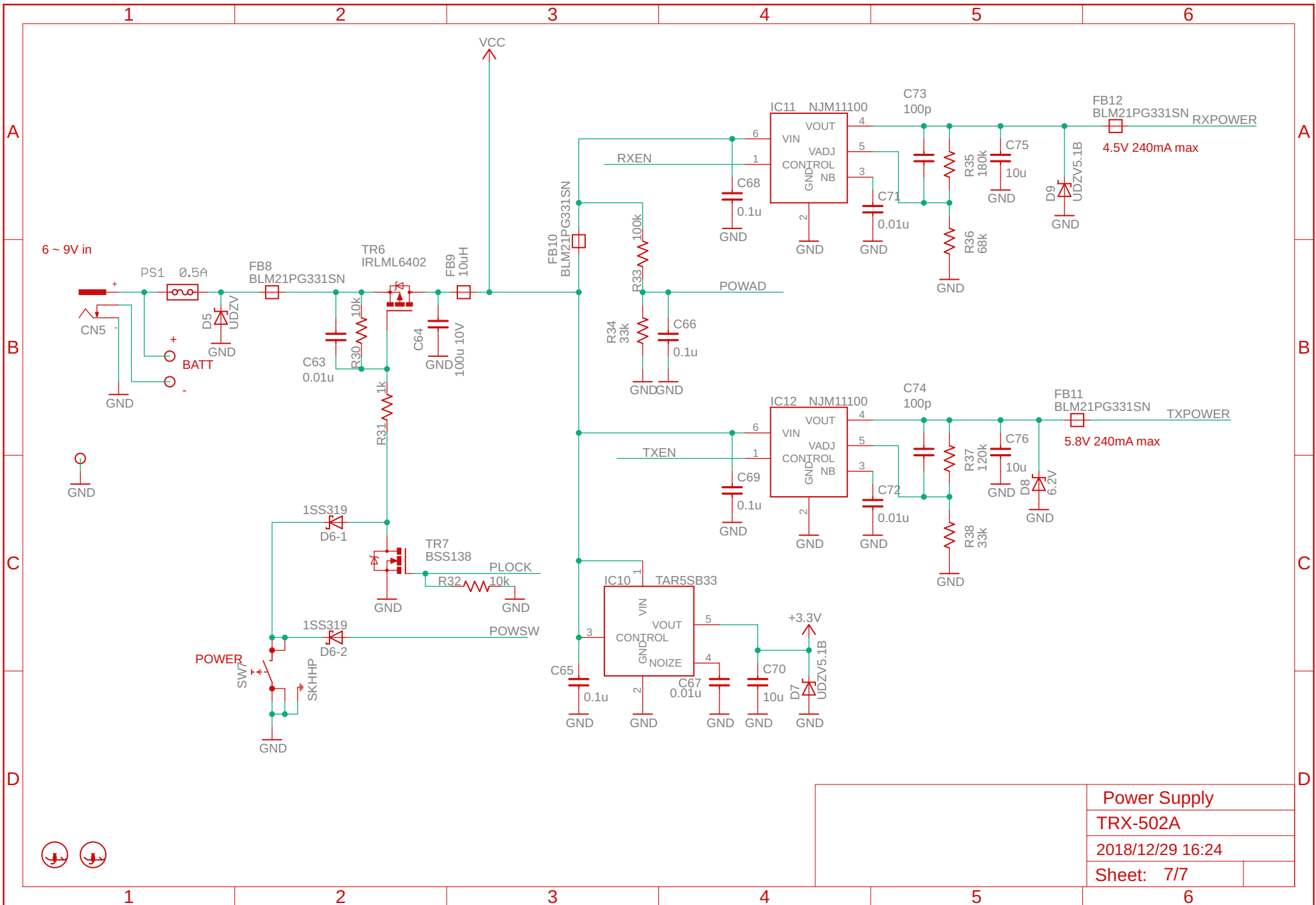
Speaker AMP



Reciever
TRX-502A
2018/12/29 16:24
Sheet: 5/7



Oscillator, MCU	
TRX-502A	
2018/12/29 16:24	
Sheet: 6/7	



Power Supply	
TRX-502A	
2018/12/29 16:24	
Sheet: 7/7	