

Amplitude Modulator

AM Modulator

RF Switch

BPF
 22pF : Q=2.9 fo=49.5MHz
 21pF : Q=3 fo=50.7MHz

BPF fo=82.0MHz

T-50-10 0.6EC 12 tern
 x 2

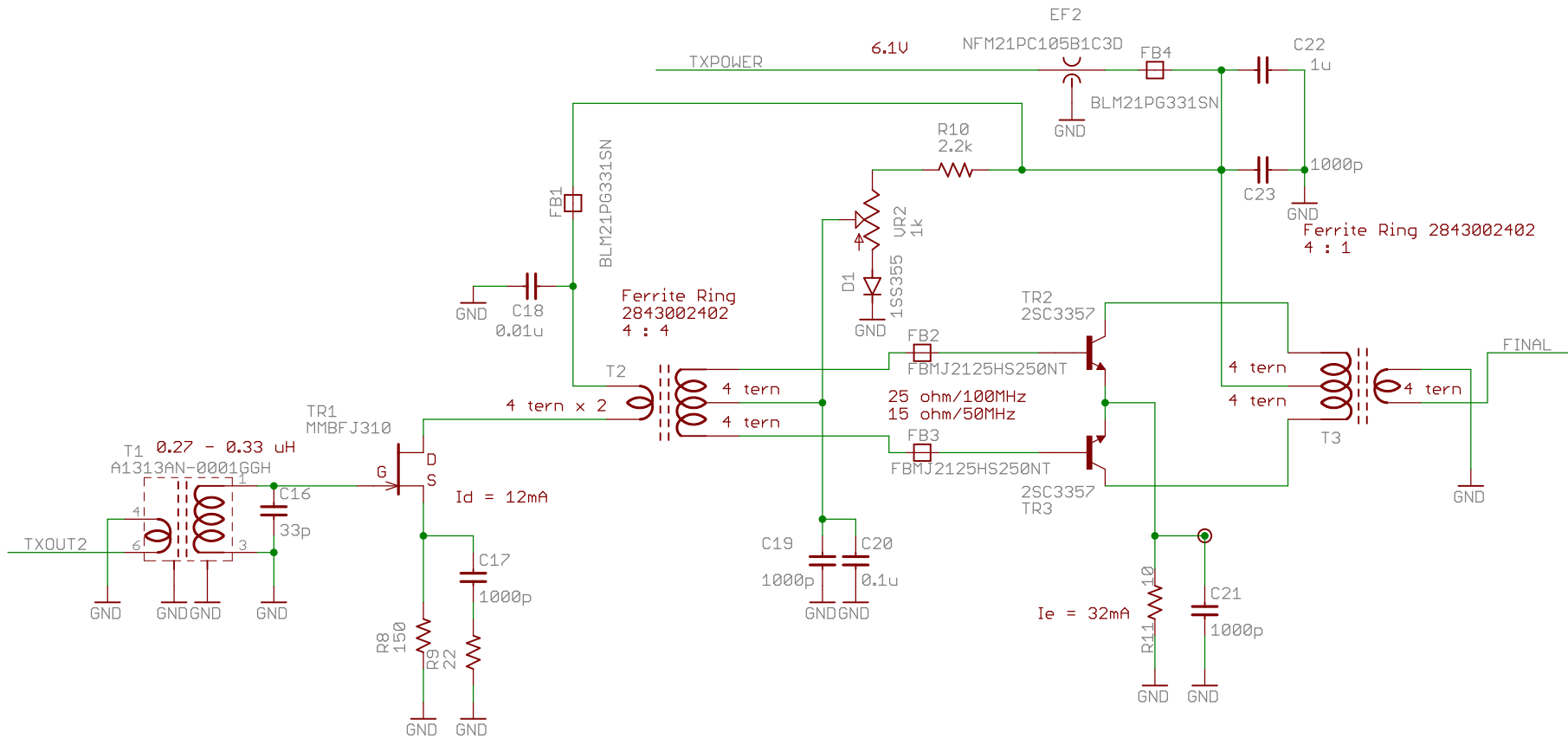
BPF fc=50MHz Q=5

TRX-503A

19/04/26 17:07

Sheet: 1/7

50mW Final AMP

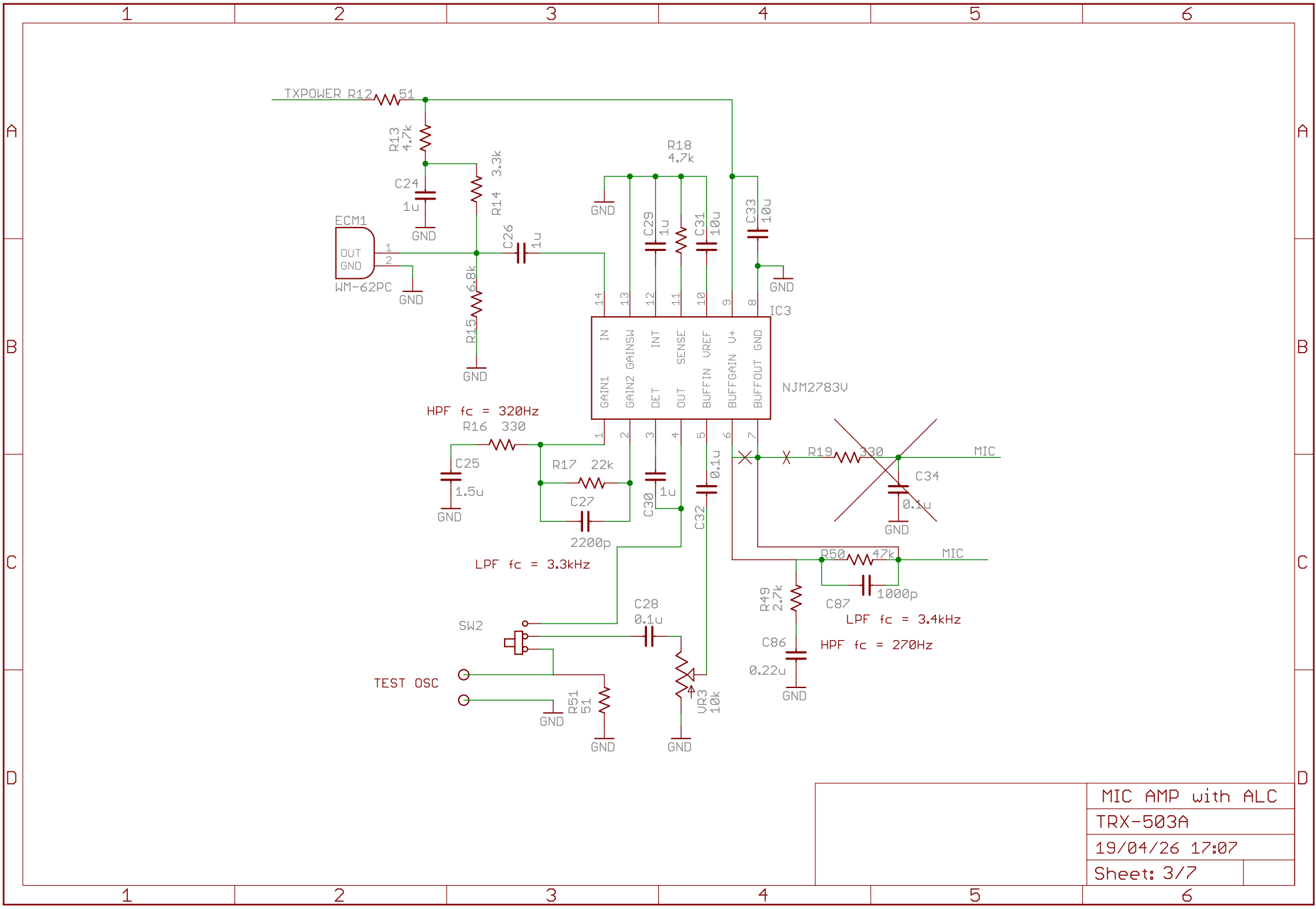


Final AMP

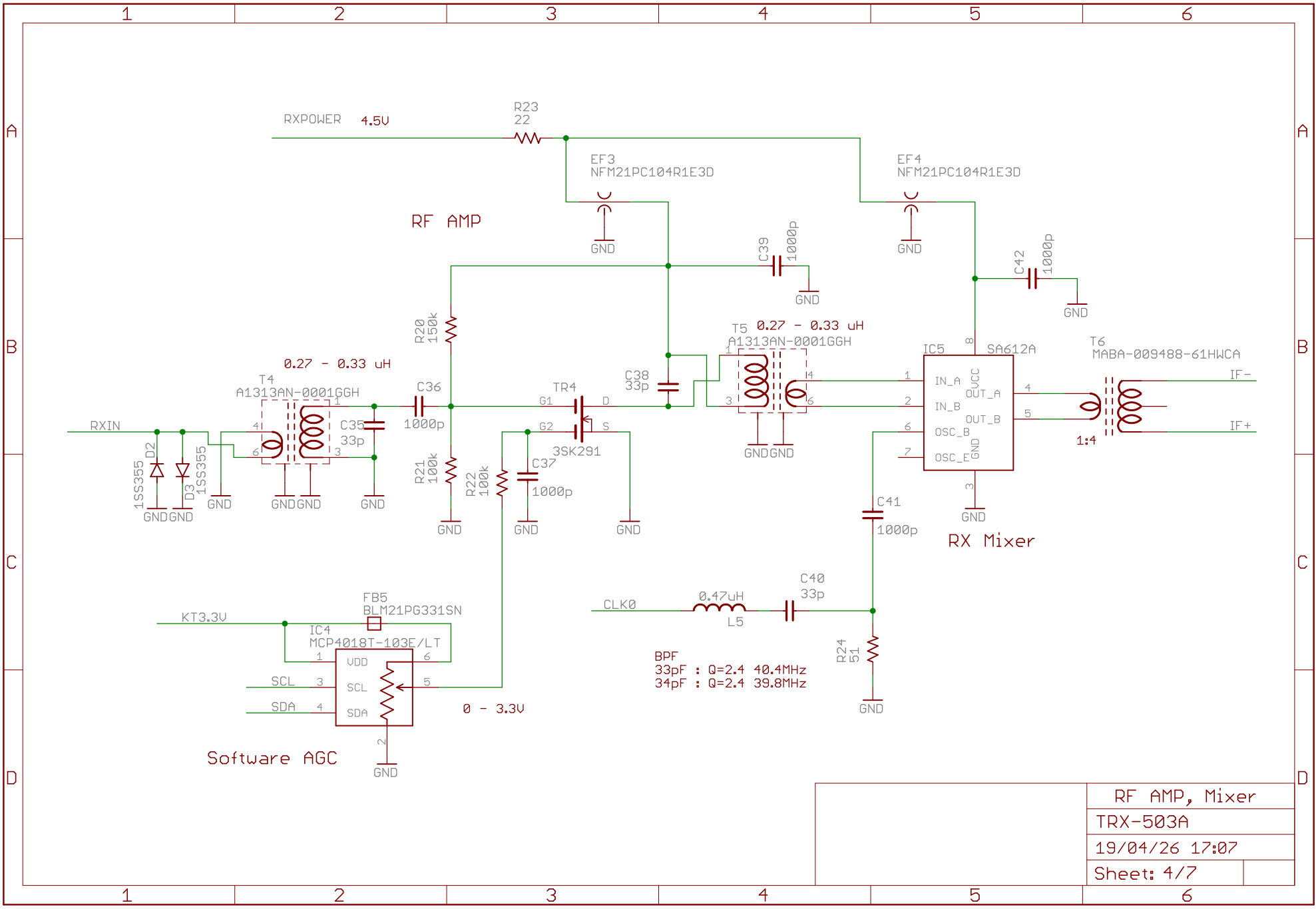
TRX-503A

19/04/26 17:07

Sheet: 2/7



MIC AMP with ALC	
TRX-503A	
19/04/26 17:07	
Sheet: 3/7	

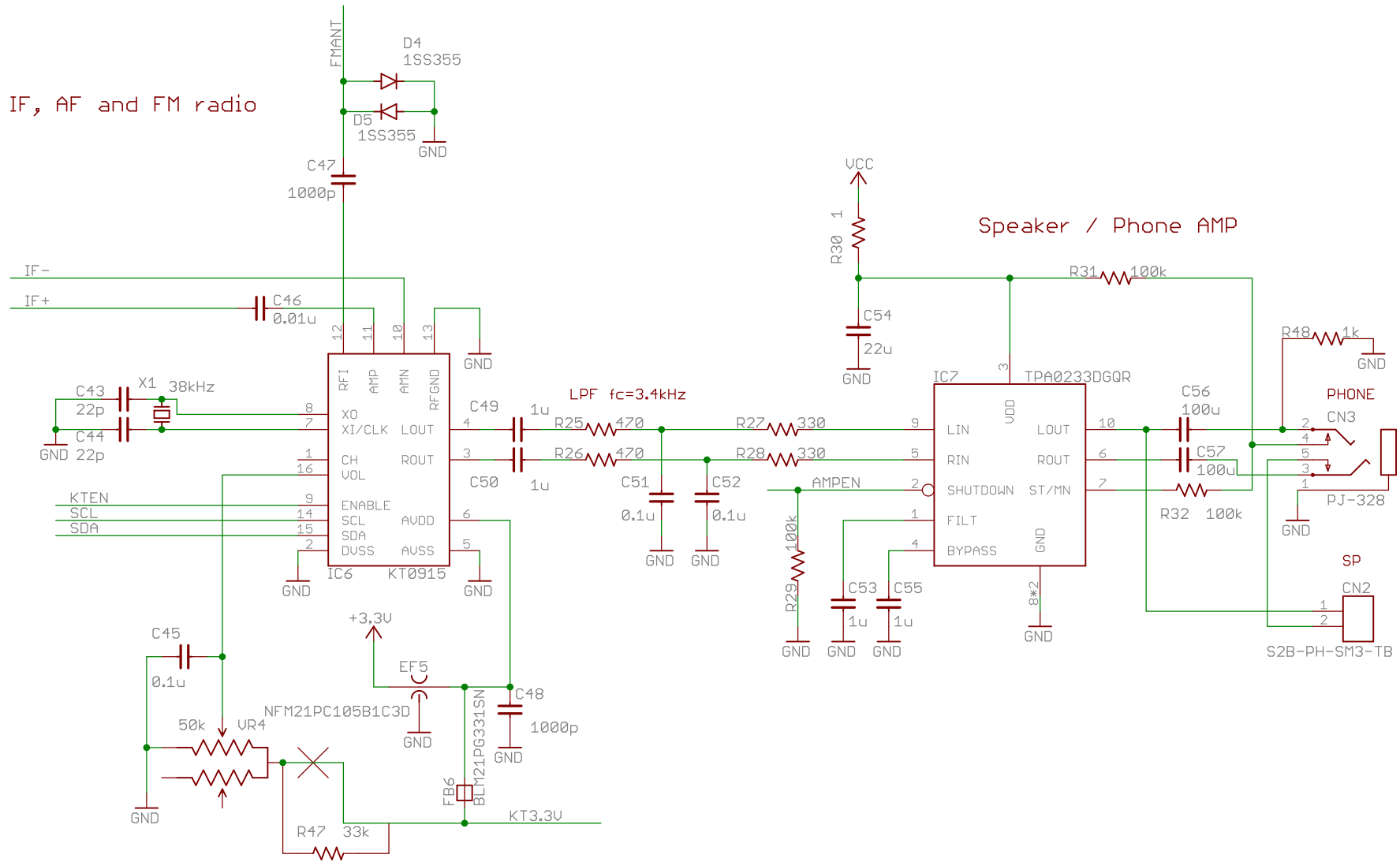


BPF
 33pF : Q=2.4 40.4MHz
 34pF : Q=2.4 39.8MHz

RF AMP, Mixer	
TRX-503A	
19/04/26 17:07	
Sheet: 4/7	

IF, AF and FM radio

Speaker / Phone AMP

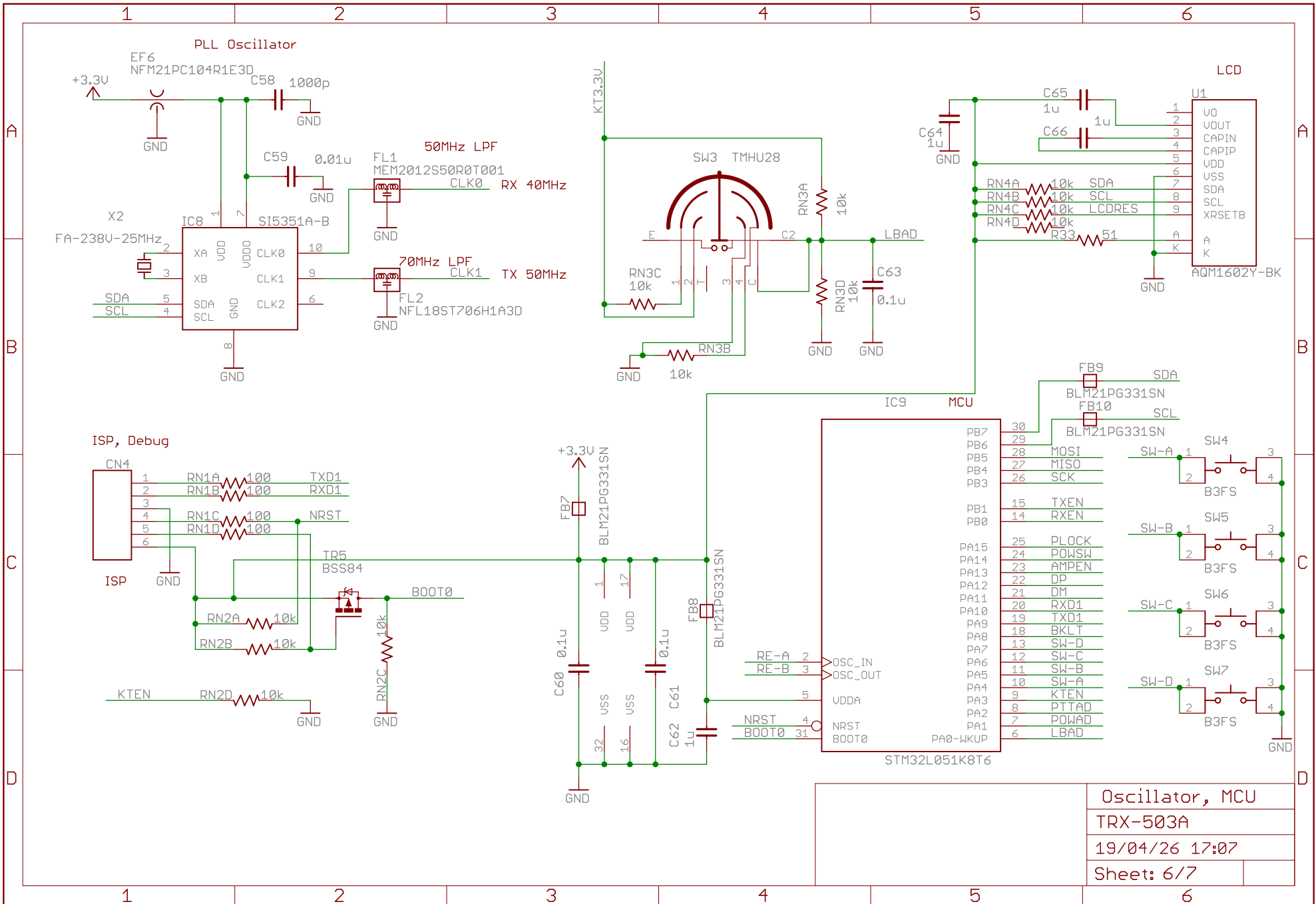


Reciever

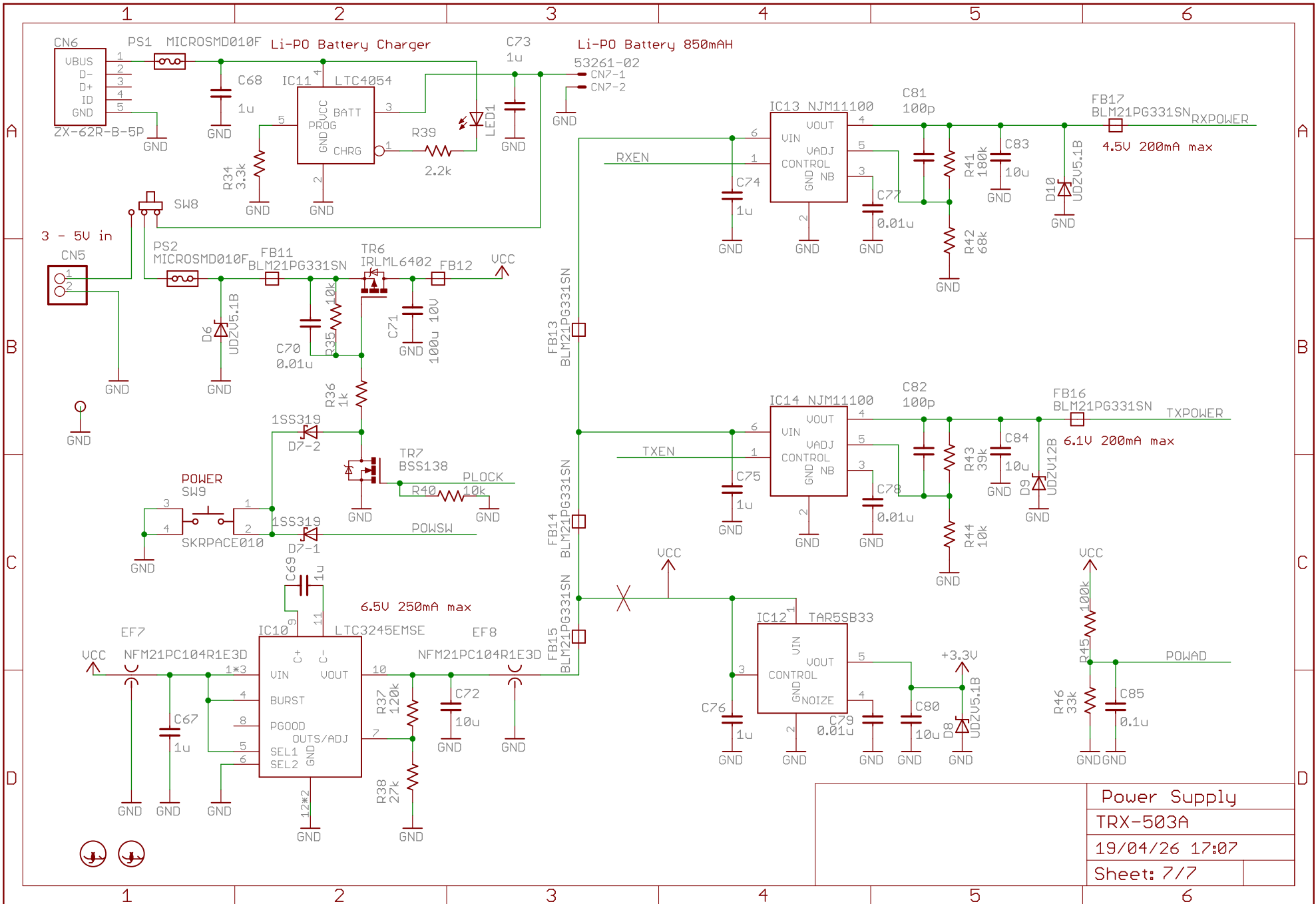
TRX-503A

19/04/26 17:07

Sheet: 5/7



Oscillator, MCU	
TRX-503A	
19/04/26 17:07	
Sheet: 6/7	



Power Supply	
TRX-503A	
19/04/26 17:07	
Sheet: 7/7	