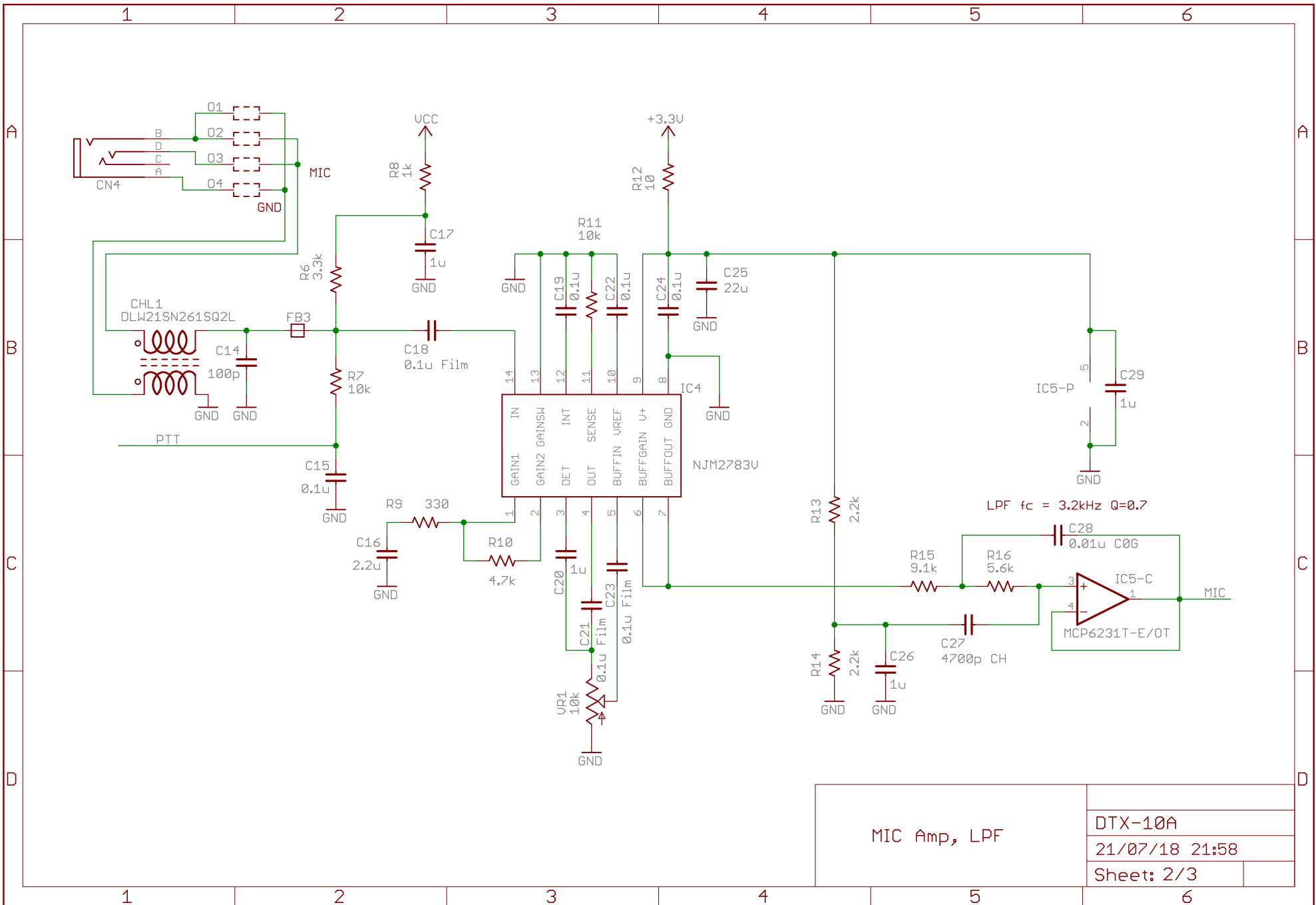


Connectors, Power, RF switch	DTX-10A
	21/07/18 21:58
	Sheet: 1/3

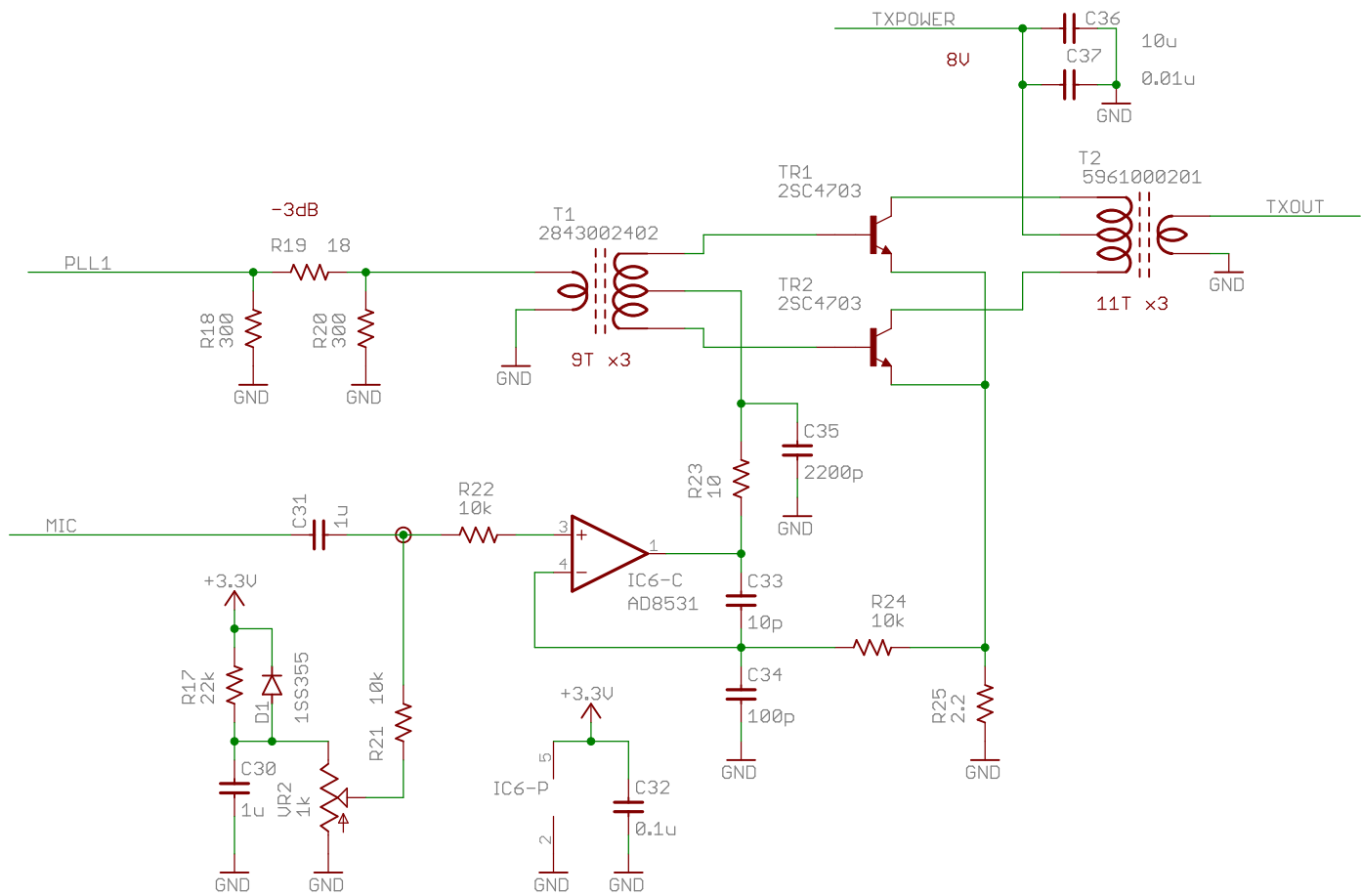


MIC Amp, LPF

DTX-10A

21/07/18 21:58

Sheet: 2/3



Modulation, Final AMP	DTX-10A
	21/07/18 21:58
	Sheet: 3/3