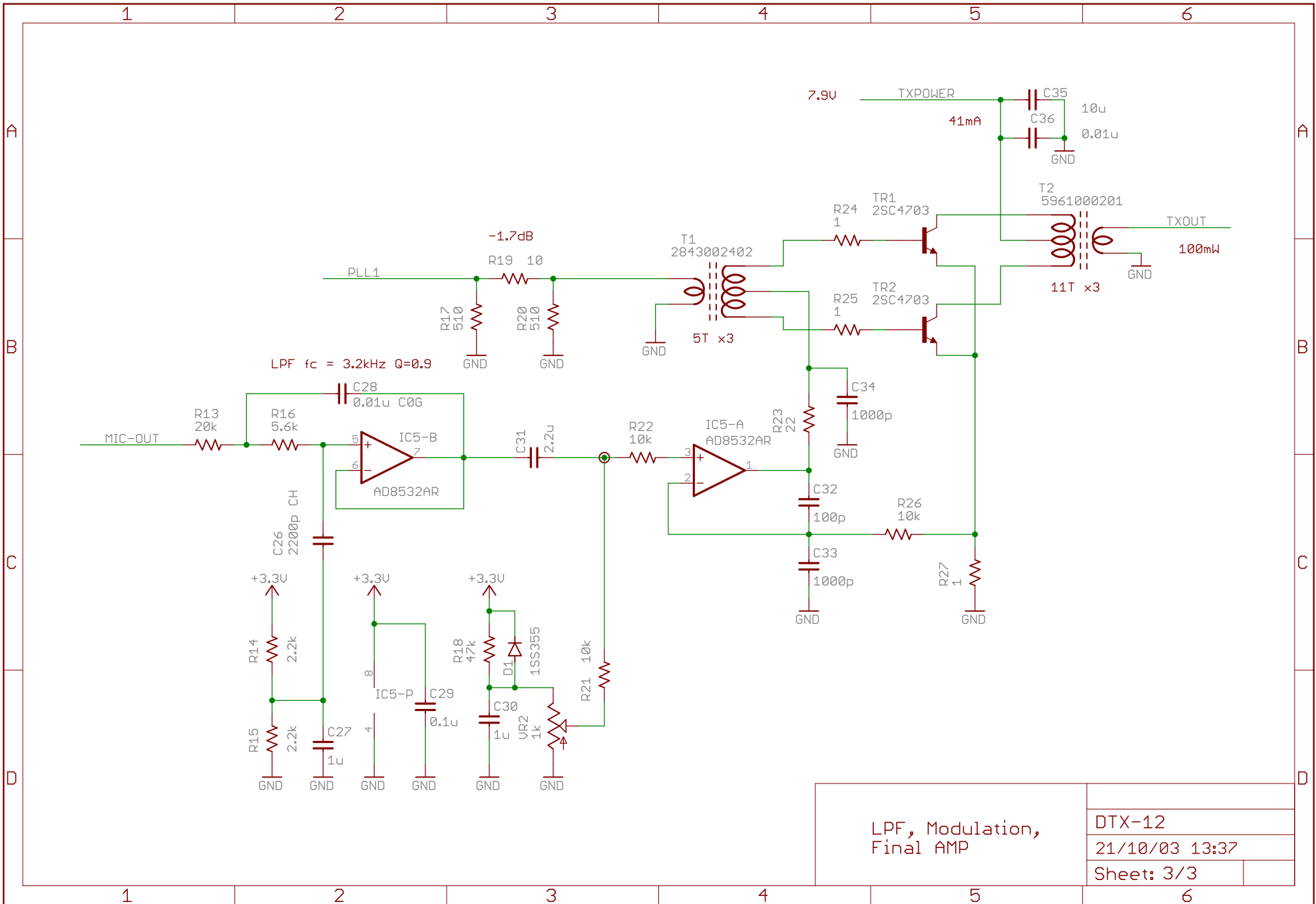


|         |                |  |
|---------|----------------|--|
| MIC AMP | DTX-12         |  |
|         | 21/10/03 13:37 |  |
|         | Sheet: 2/3     |  |



|                               |                |  |
|-------------------------------|----------------|--|
| LPF, Modulation,<br>Final AMP | DTX-12         |  |
|                               | 21/10/03 13:37 |  |
|                               | Sheet: 3/3     |  |