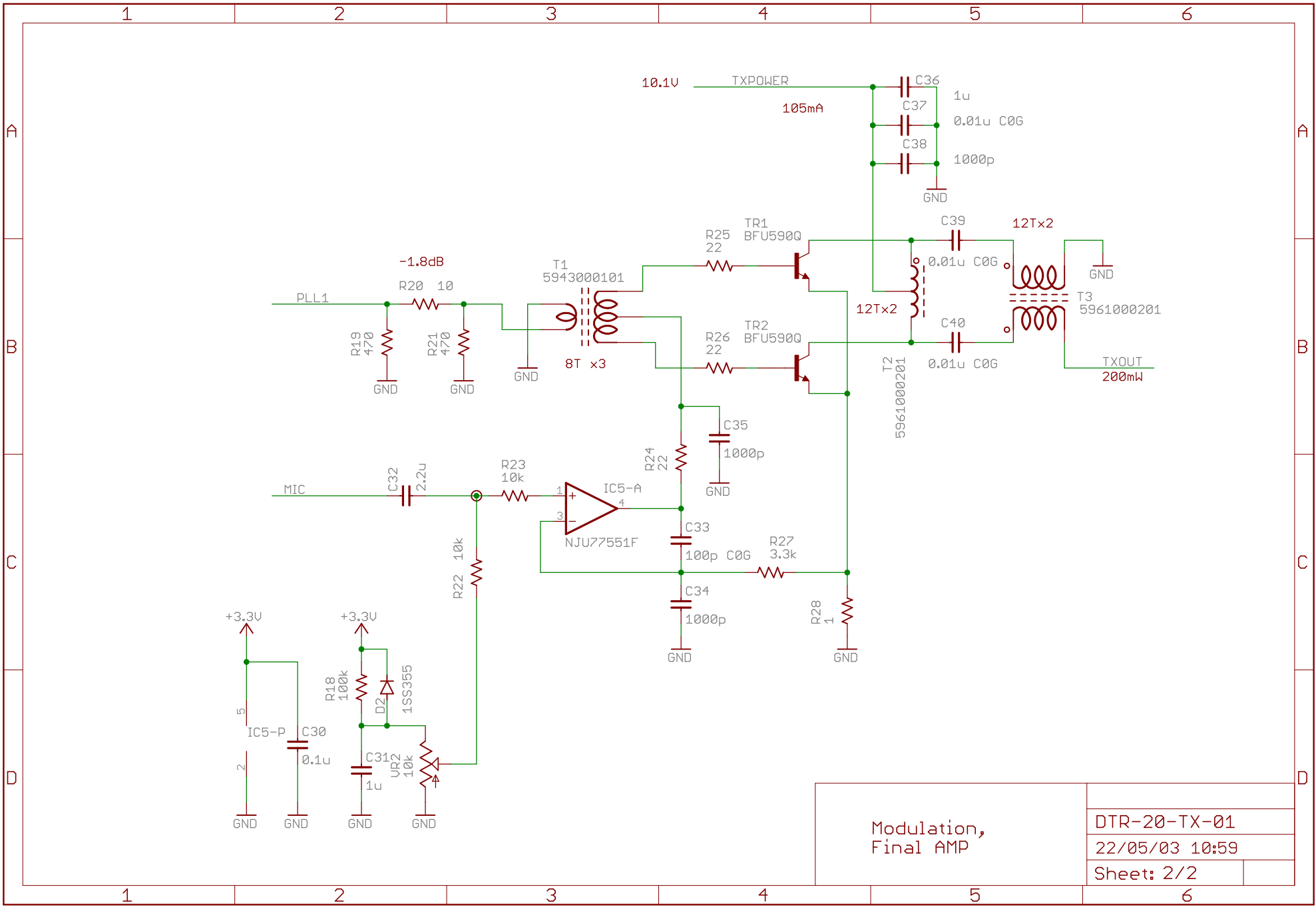


C2 : removed



- R5 : R4
- 13k : 100k 10.9U
- 15k : 110k 10.4U
- 10k : 71.5k 10.2U
- 13k : 91k 10.0U
- 15k : 100k 9.6U
- 20k : 130k 9.4U
- 22k : 140k 9.2U
- 12k : 75k 9.1U
- 18k : 100k 8.2U

Connectors, Power, RF switch	DTR-20-TX-01
	22/05/03 10:59
	Sheet: 1/2



Modulation, Final AMP	DTR-20-TX-01
	22/05/03 10:59
	Sheet: 2/2