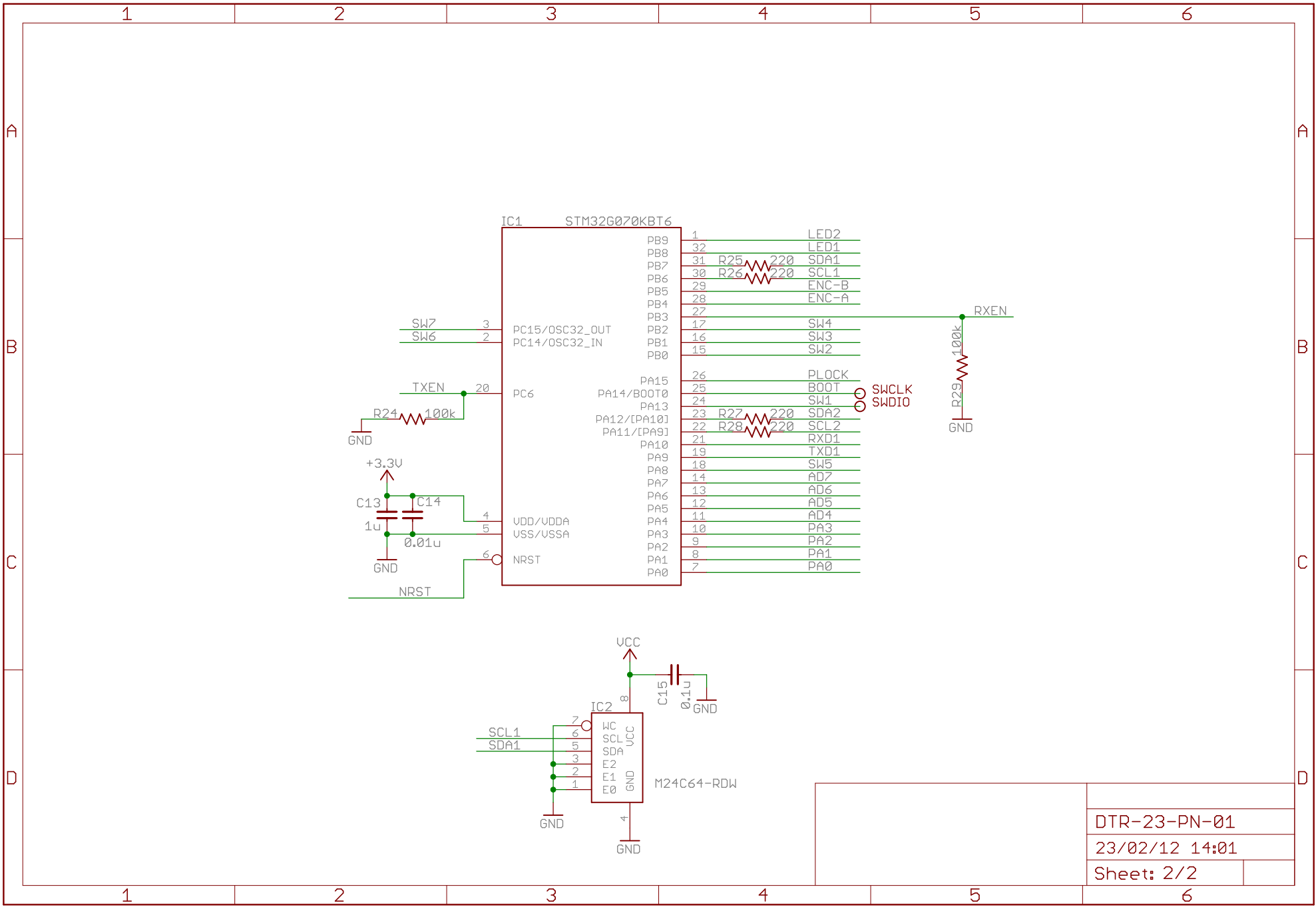


DTR-23-PN-01	
23/02/12 14:01	
Sheet: 1/2	



Pin	Function
1	LED2
2	LED1
3	SDA1 (R25 220)
4	SCL1 (R26 220)
5	ENC-B
6	ENC-A
7	SW2
8	SW3
9	SW4
10	SW5
11	SW1
12	SWCLK
13	SWDIO
14	TXD1
15	RXD1 (R27 220)
16	SCL2 (R28 220)
17	SDA2
18	PLOCK
19	BOOT
20	PC6
21	PC15/OSC32_OUT
22	PC14/OSC32_IN
23	TXEN
24	PA15
25	PA14/B00T0
26	PA13
27	PA12/[PA10]
28	PA11/[PA9]
29	PA10
30	PA9
31	PA8
32	PA7
33	PA6
34	PA5
35	PA4
36	PA3
37	PA2
38	PA1
39	PA0

DTR-23-PN-01
23/02/12 14:01
Sheet: 2/2