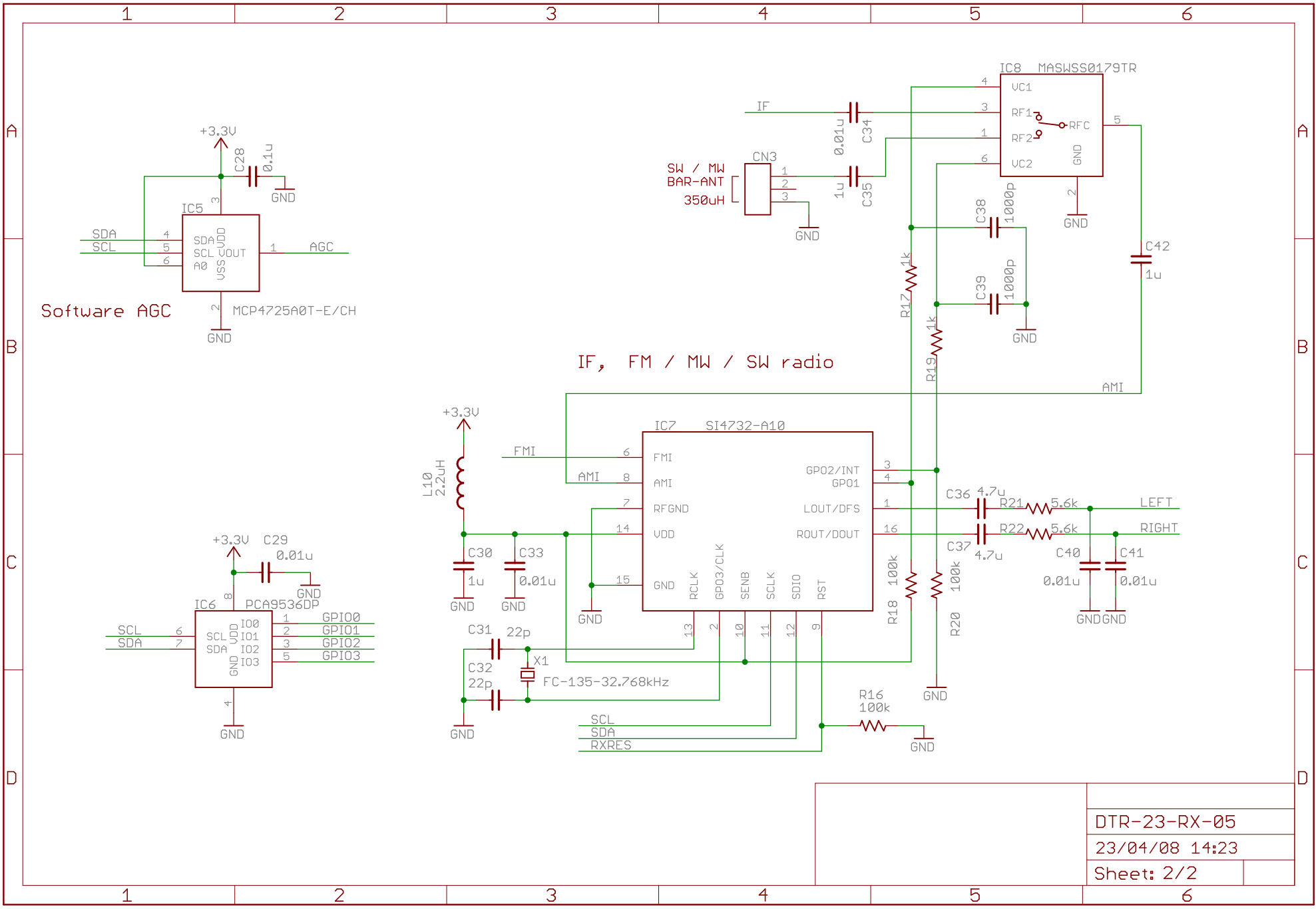


DTR-23-RX-05
 23/04/08 14:23
 Sheet: 1/2



DTR-23-RX-05
 23/04/08 14:23
 Sheet: 2/2