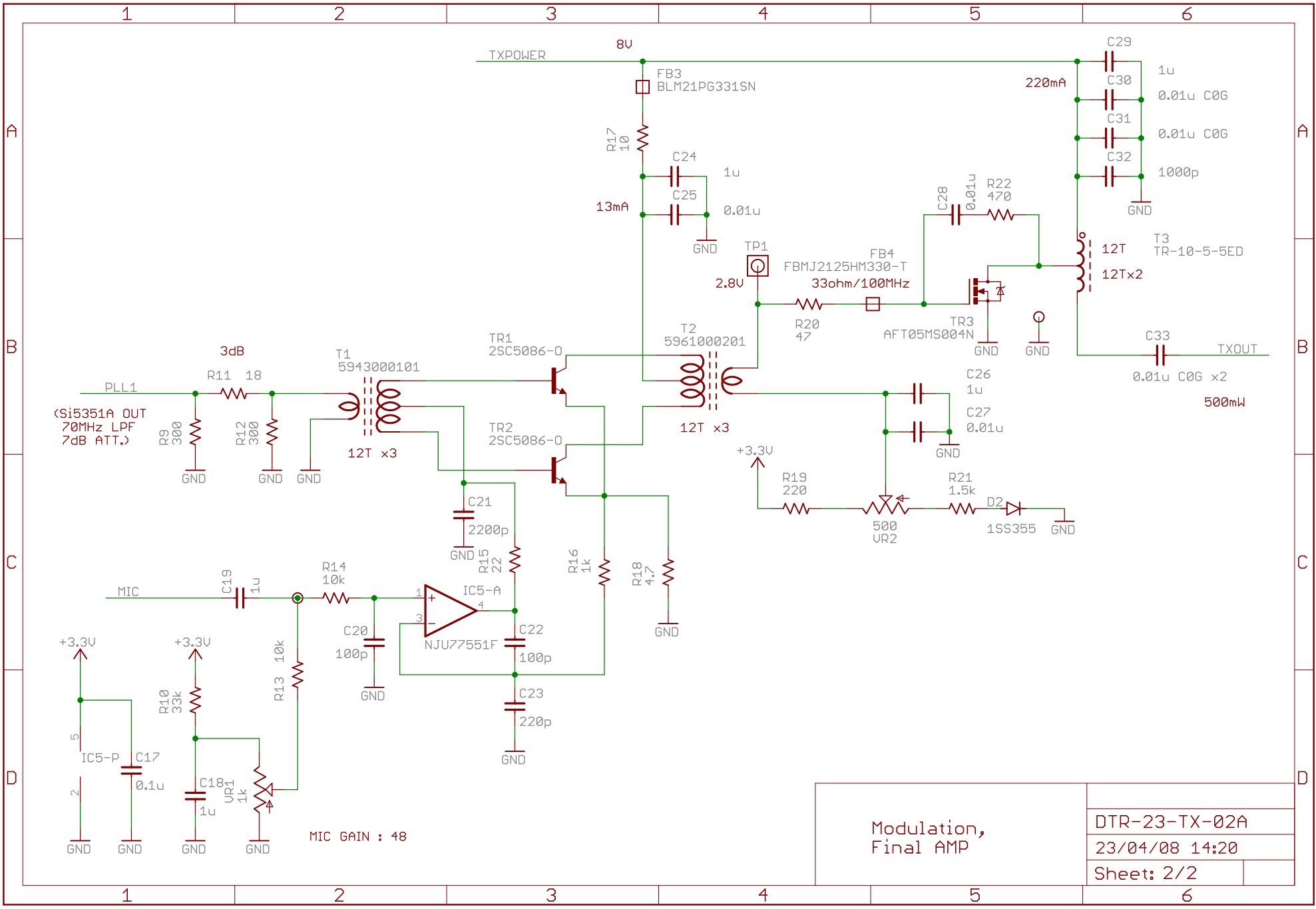


C2 : removed



Connectors, Power, RF switch	DTR-23-TX-02A
	23/04/08 14:20
	Sheet: 1/2



Modulation, Final AMP	
DTR-23-TX-02A	
23/04/08 14:20	
Sheet: 2/2	