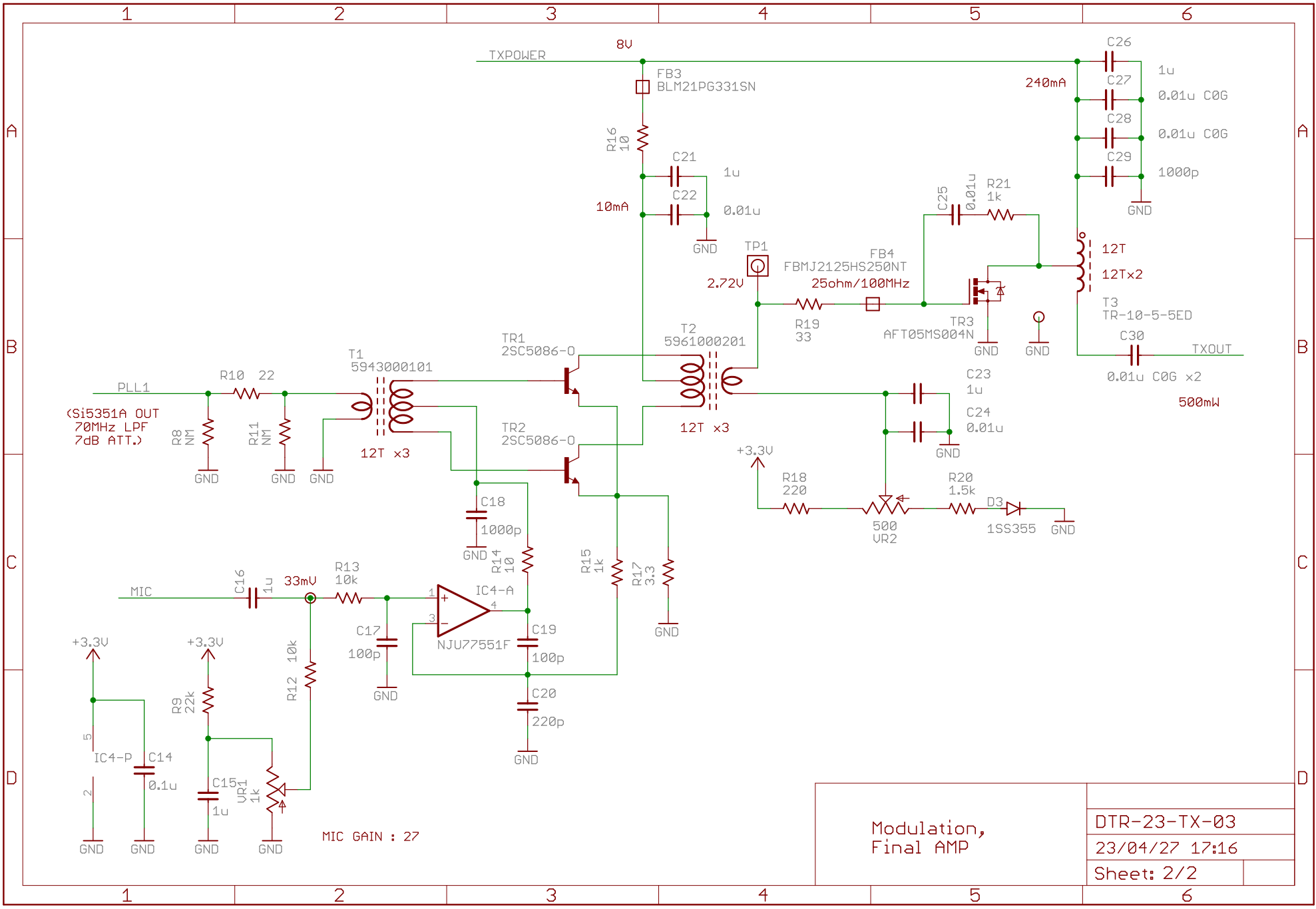


C2 : removed

- R5 : R4
- 1.5k : 13k 12.1V
- 13k : 100k 10.9V
- 15k : 110k 10.4V
- 10k : 71.5k 10.2V
- 12k : 68k 8.37V
- 10k : 56k 8.28V
- 18k : 100k 8.23V

Connectors, Power, RF switch	
DTR-23-TX-03	
23/04/27 17:16	
Sheet: 1/2	



Modulation, Final AMP	DTR-23-TX-03
	23/04/27 17:16
	Sheet: 2/2