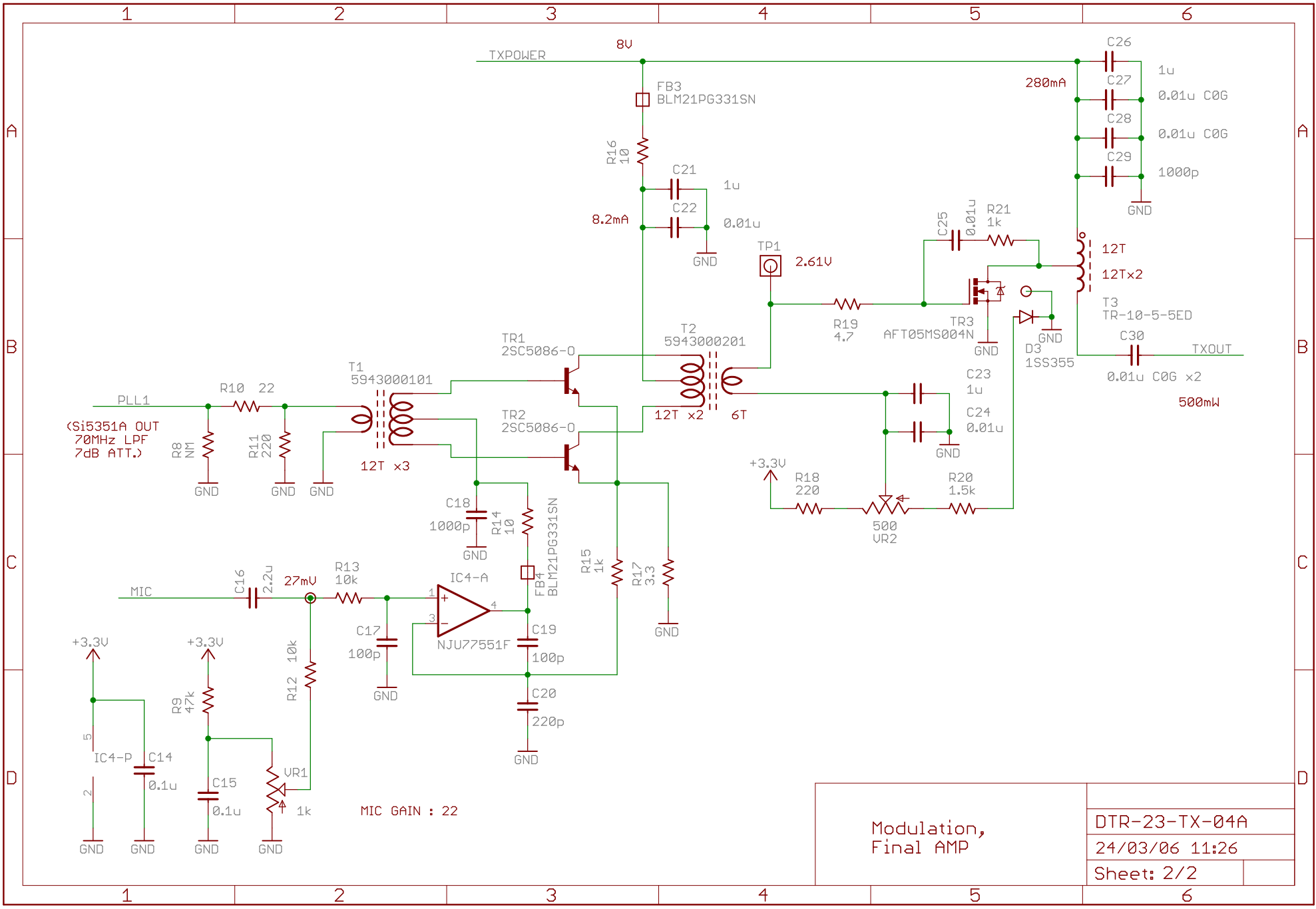


C2 : removed

R5	:	R4
1.5k	:	13k 12.1V
13k	:	100k 10.9V
15k	:	110k 10.4V
10k	:	71.5k 10.2V
12k	:	68k 8.37V
10k	:	56k 8.28V
18k	:	100k 8.23V

Connectors, Power, RF switch	
DTR-23-TX-04A	
24/03/06 11:26	
Sheet: 1/2	



Modulation, Final AMP	DTR-23-TX-04A
	24/03/06 11:26
	Sheet: 2/2