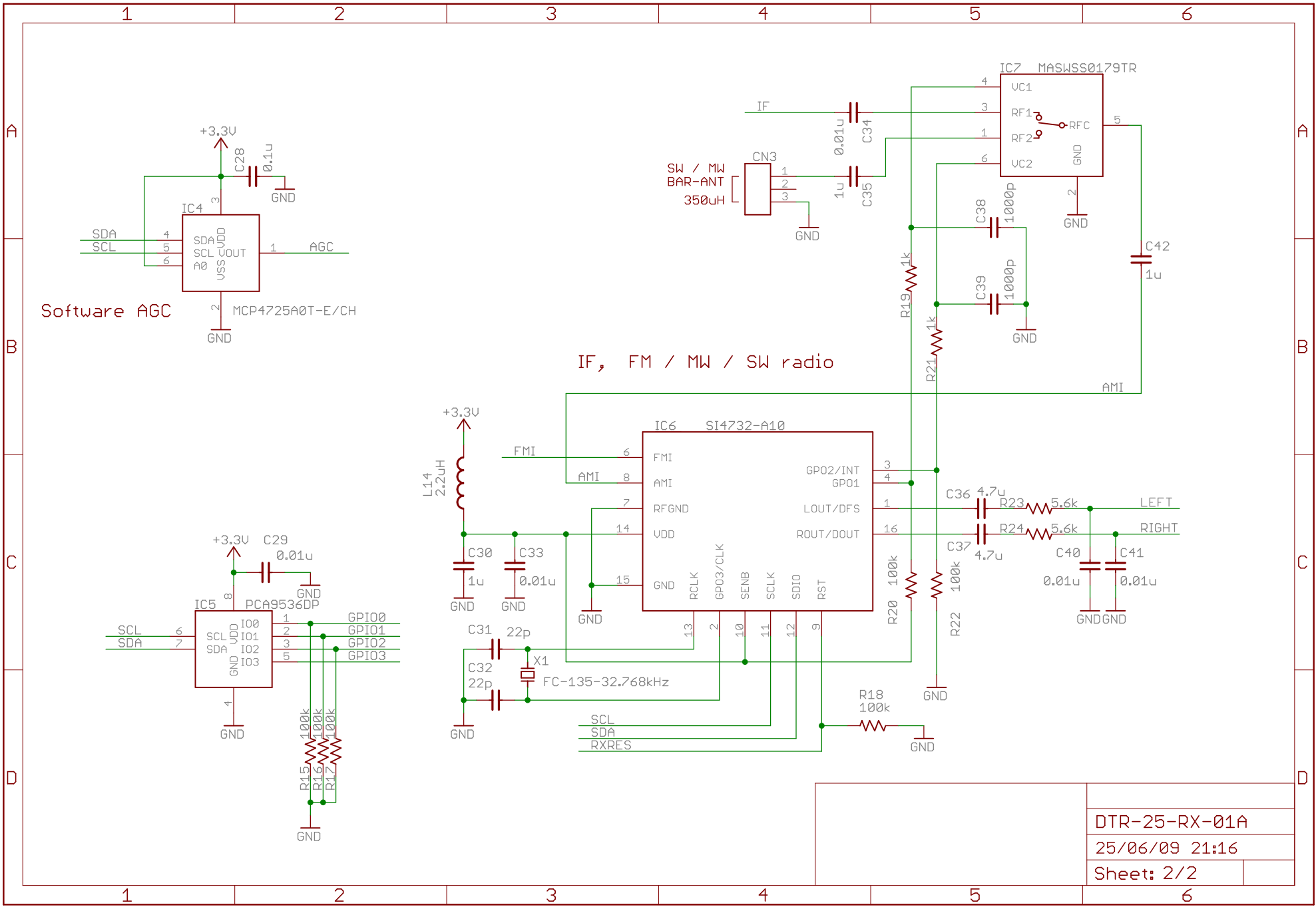


DTR-25-RX-01A  
 25/06/09 21:16  
 Sheet: 1/2



DTR-25-RX-01A
25/06/09 21:16
Sheet: 2/2