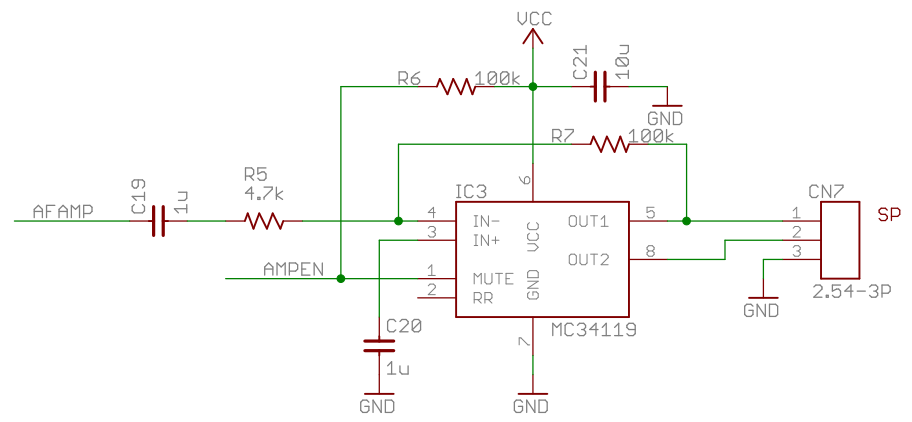


GND

KTR-10-RX-02
 23/09/16 22:22
 Sheet: 1/2



KTR-10-RX-02	
23/09/16 22:22	
Sheet: 2/2	