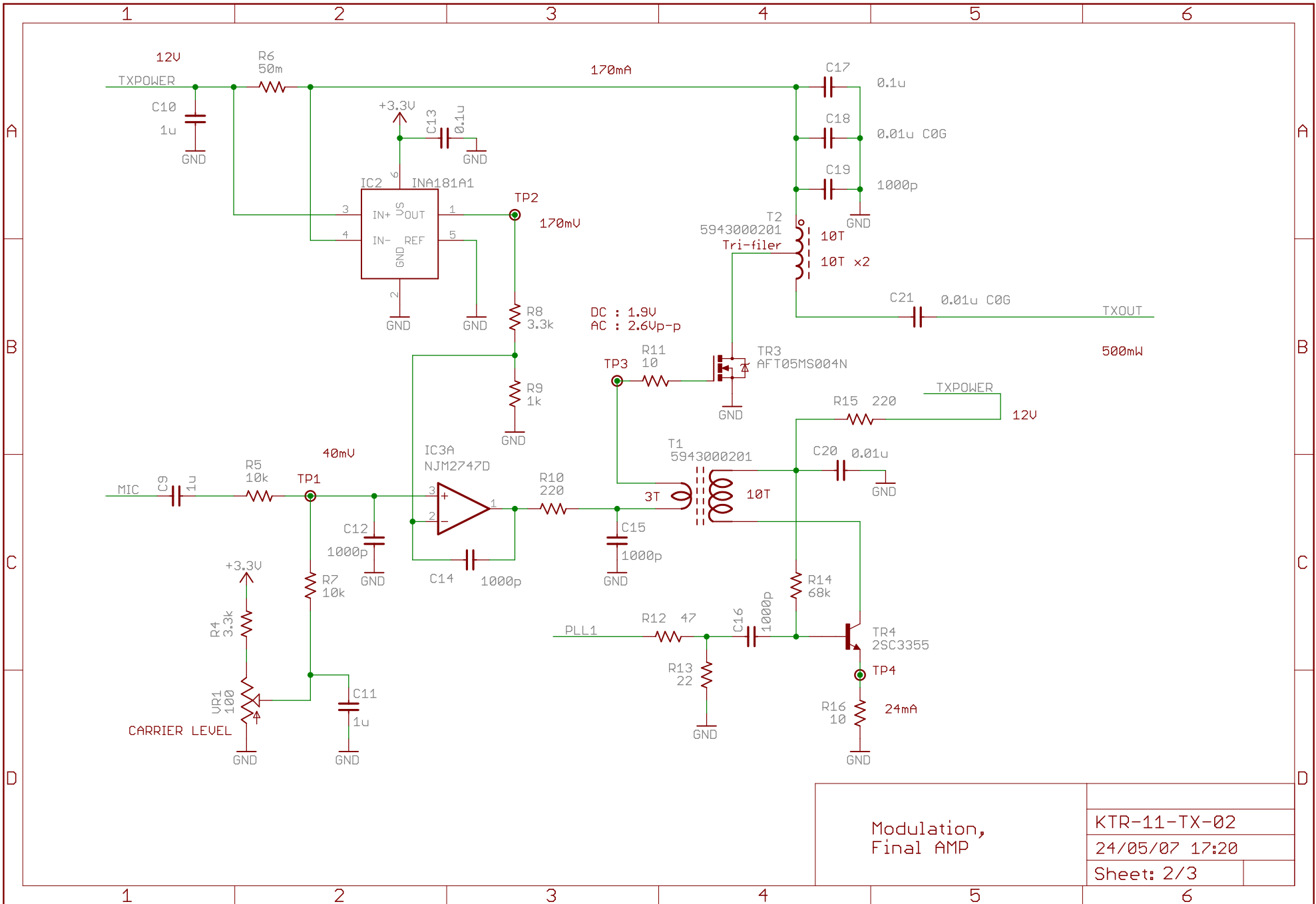
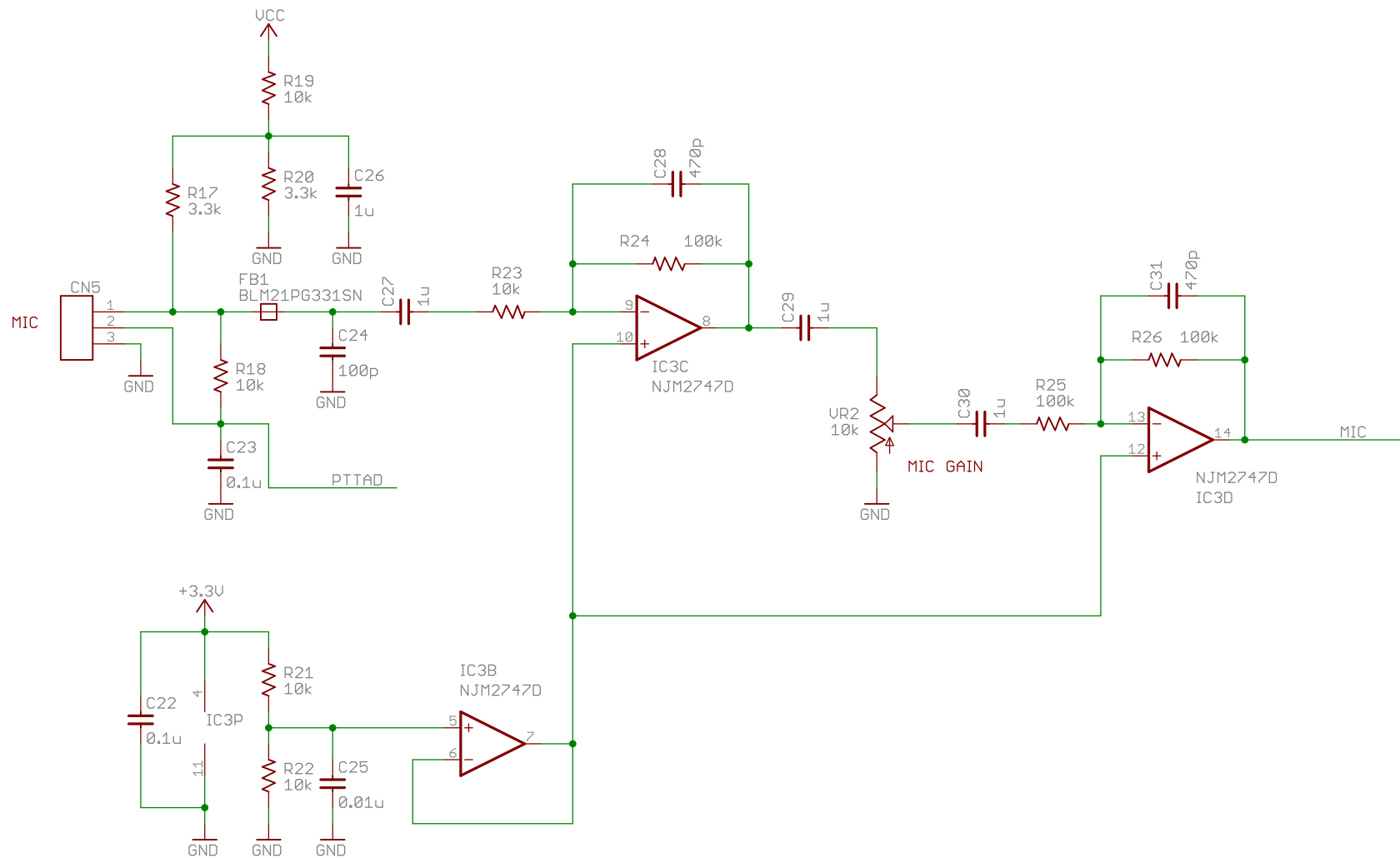


KTR-11-TX-02	
24/05/07 17:20	
Sheet: 1/3	



Modulation, Final AMP	KTR-11-TX-02
	24/05/07 17:20
	Sheet: 2/3



KTR-11-TX-02

24/05/07 17:20

Sheet: 3/3