

Amplitude Modulator

AM Modulator

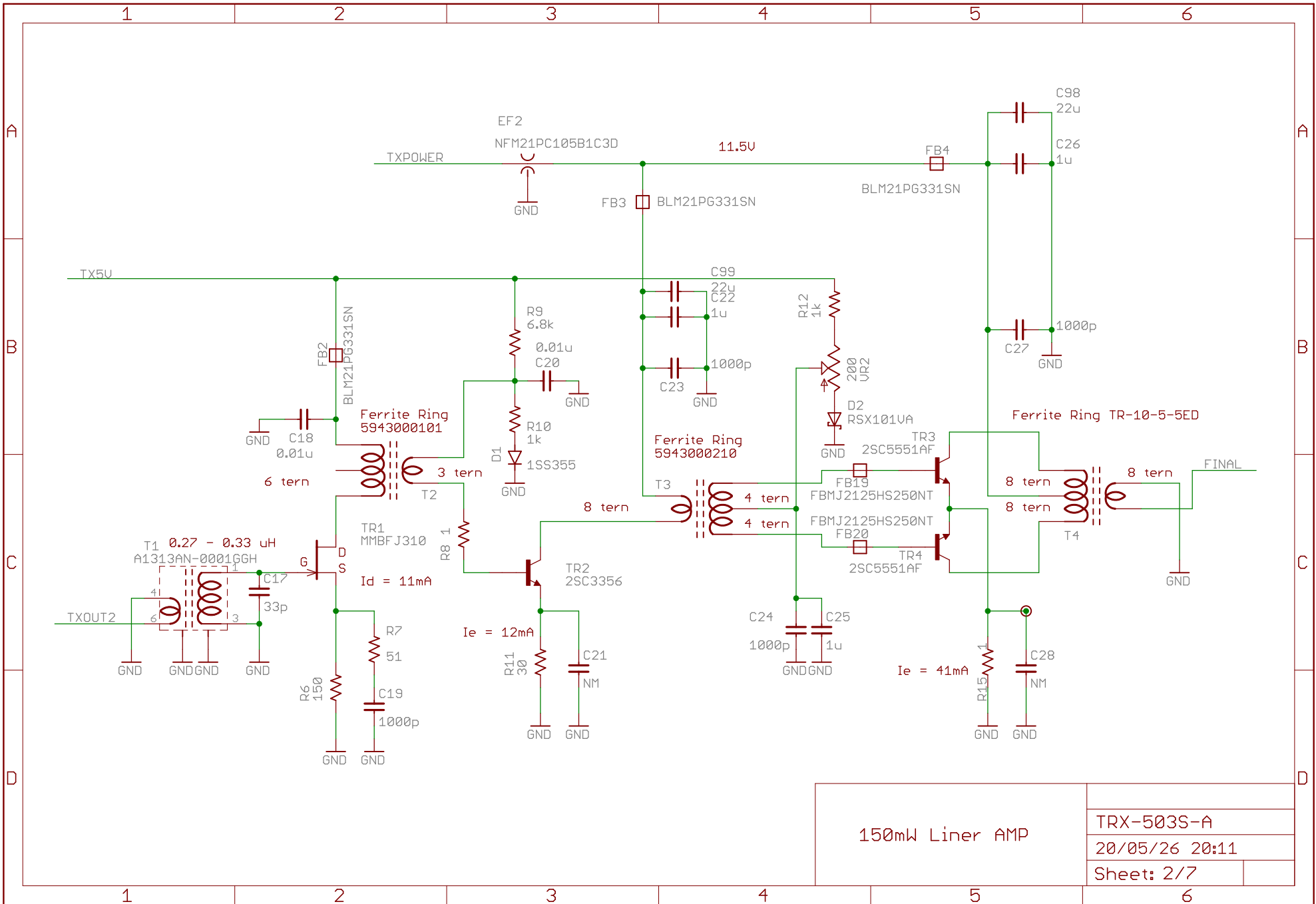
RF Switch

BPF fo=82.0MHz

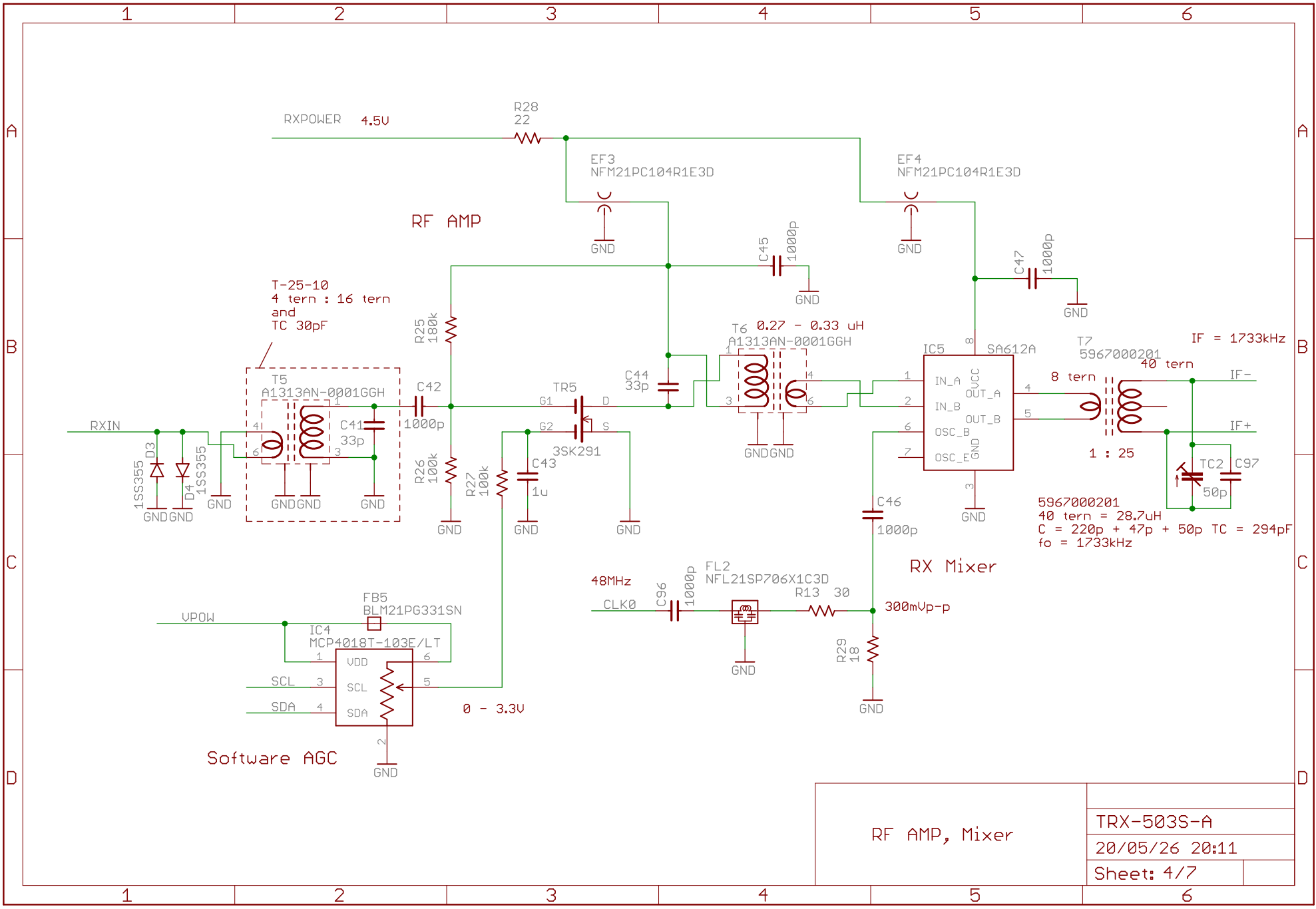
BPF(LPF) fc=58MHz

LPF fc=61MHz Q=1

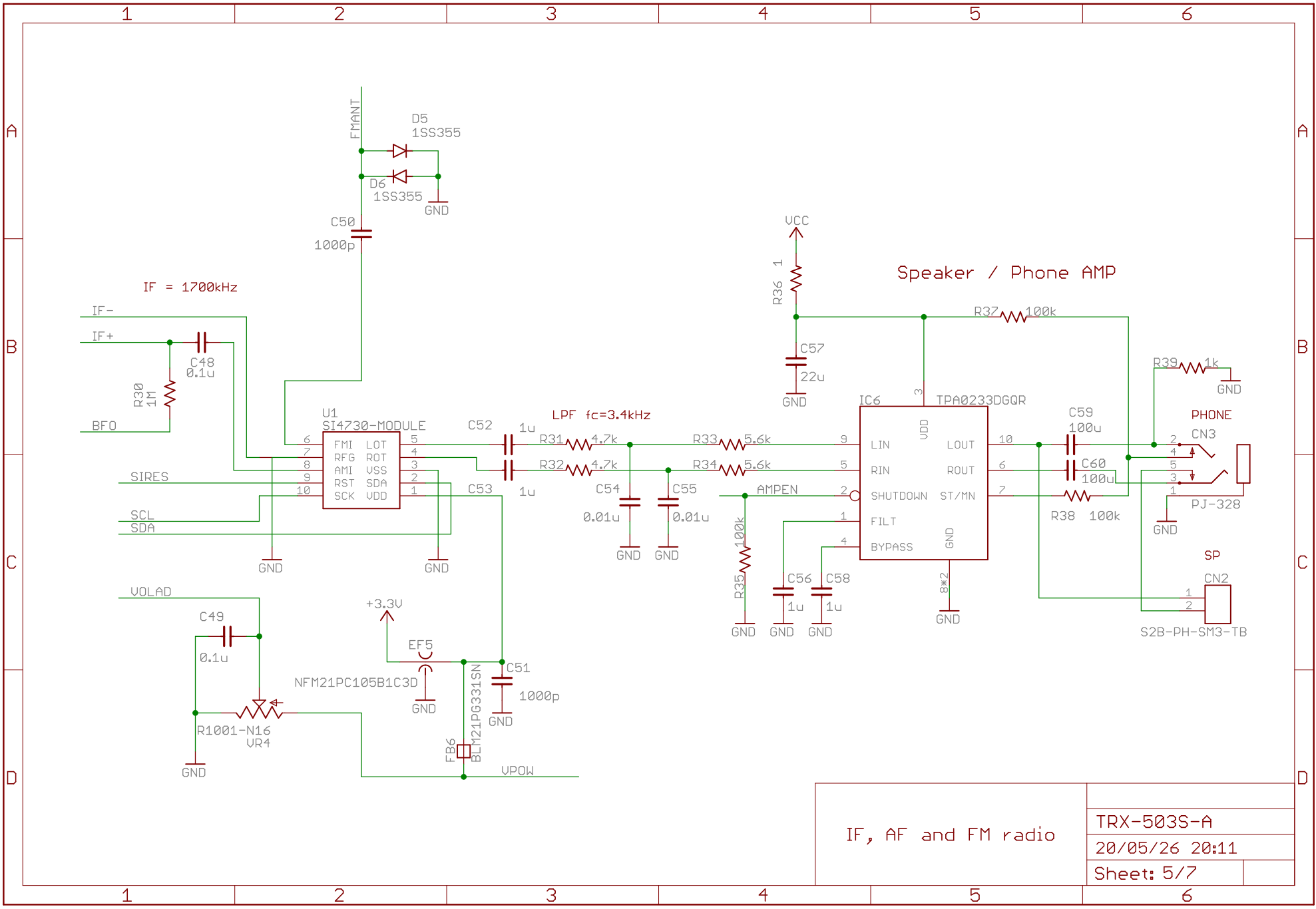
AM Modulator RF Switch and Filters	TRX-503S-A
	20/05/26 20:11
	Sheet: 1/7



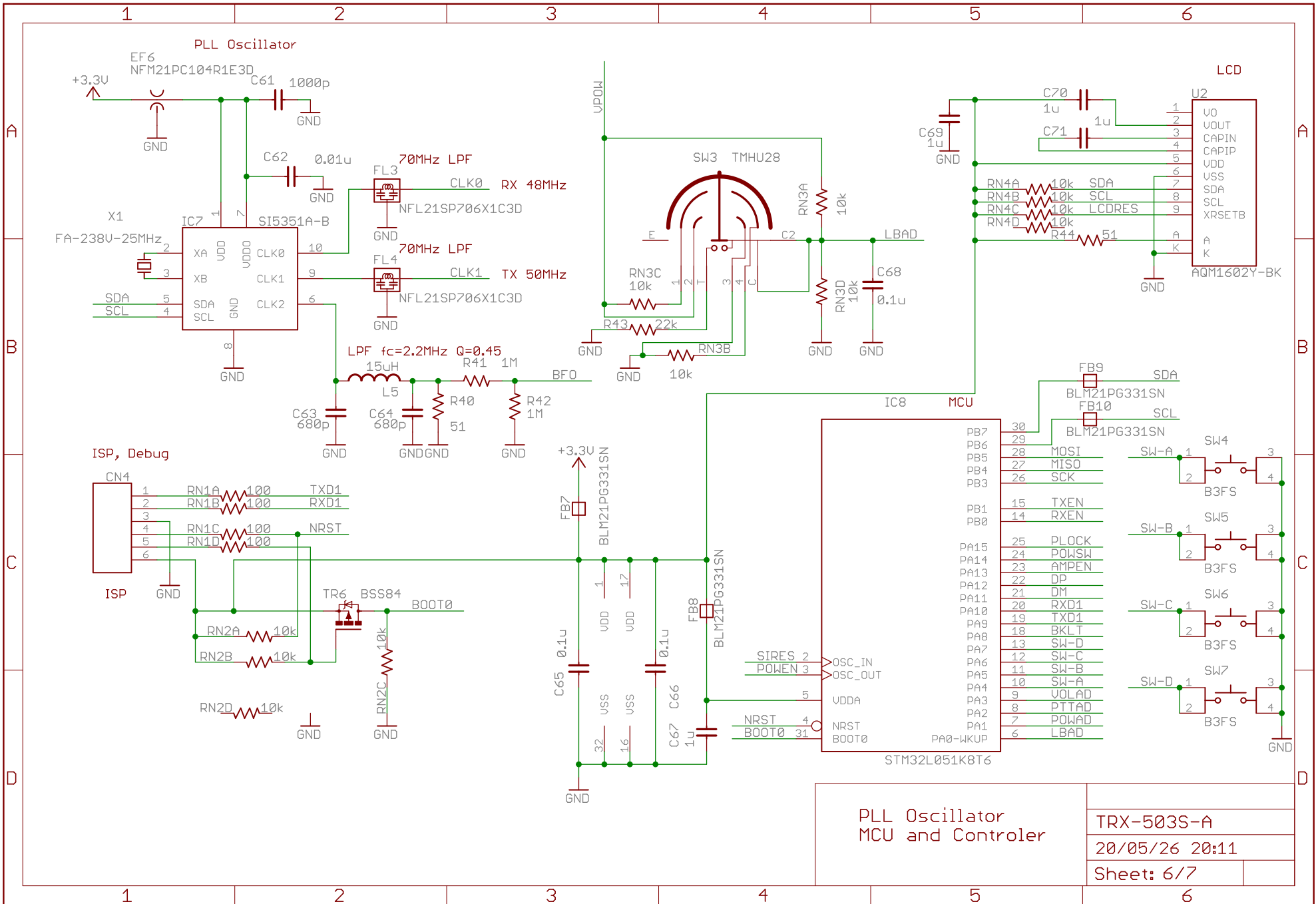
150mW Liner AMP		TRX-503S-A	
		20/05/26 20:11	
		Sheet: 2/7	



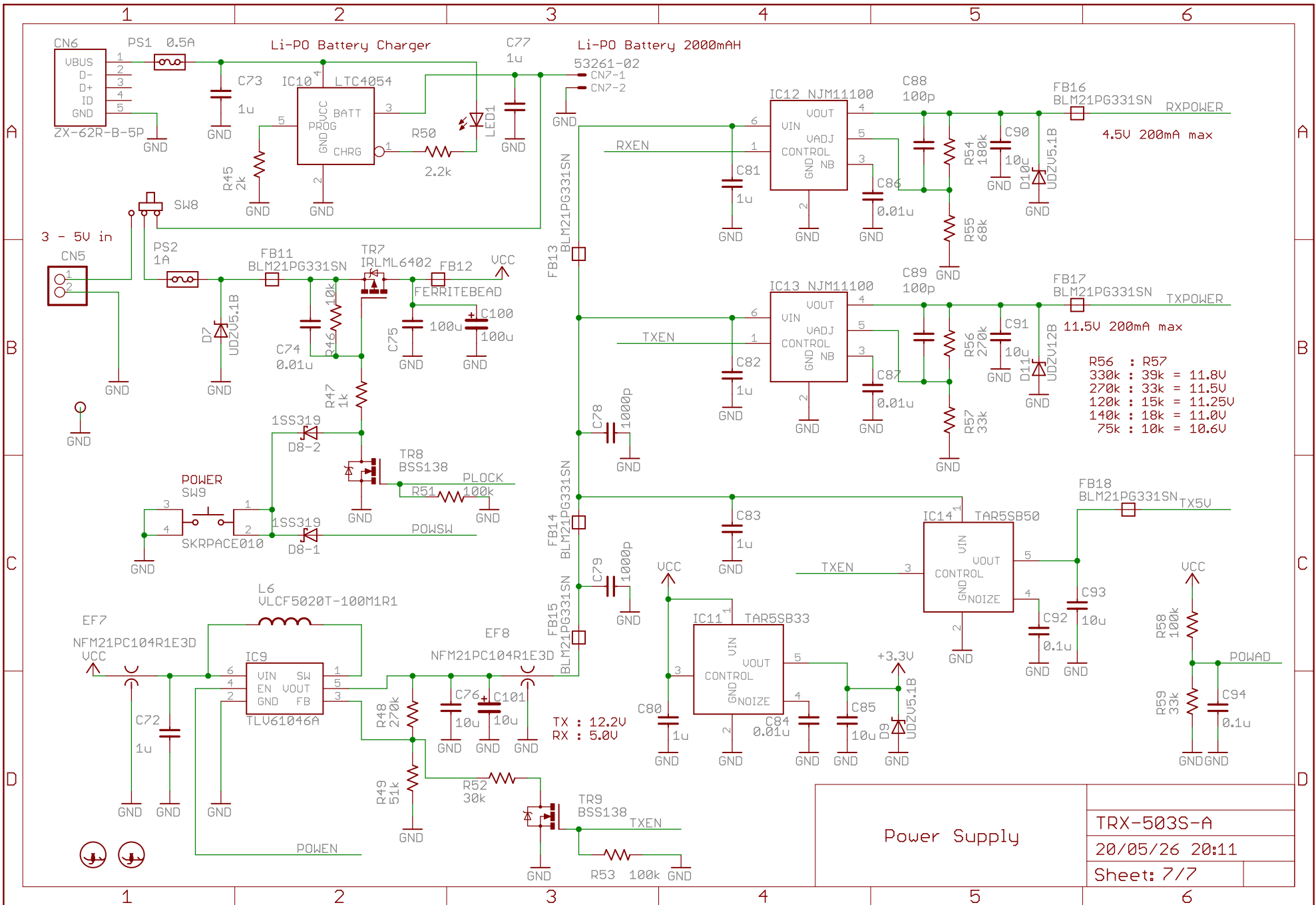
RF AMP, Mixer	TRX-503S-A
	20/05/26 20:11
	Sheet: 4/7



IF, AF and FM radio	TRX-503S-A
	20/05/26 20:11
	Sheet: 5/7



PLL Oscillator		TRX-503S-A	
MCU and Controller		20/05/26 20:11	
		Sheet: 6/7	



R56	:	R57	
330k	:	39k	= 11.8V
270k	:	33k	= 11.5V
120k	:	15k	= 11.25V
140k	:	18k	= 11.0V
75k	:	10k	= 10.6V

Power Supply	
TRX-503S-A	
20/05/26 20:11	
Sheet: 7/7	