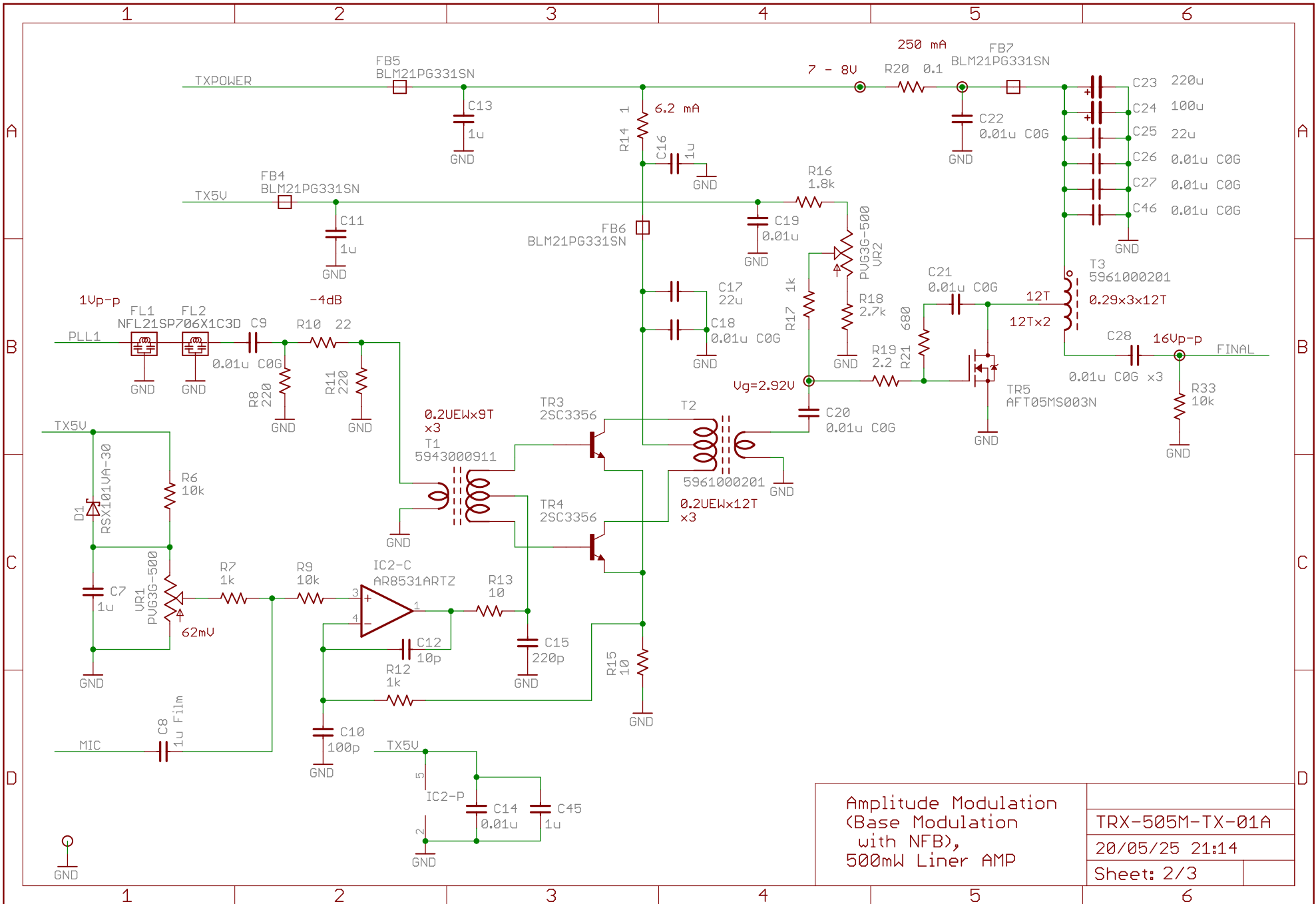
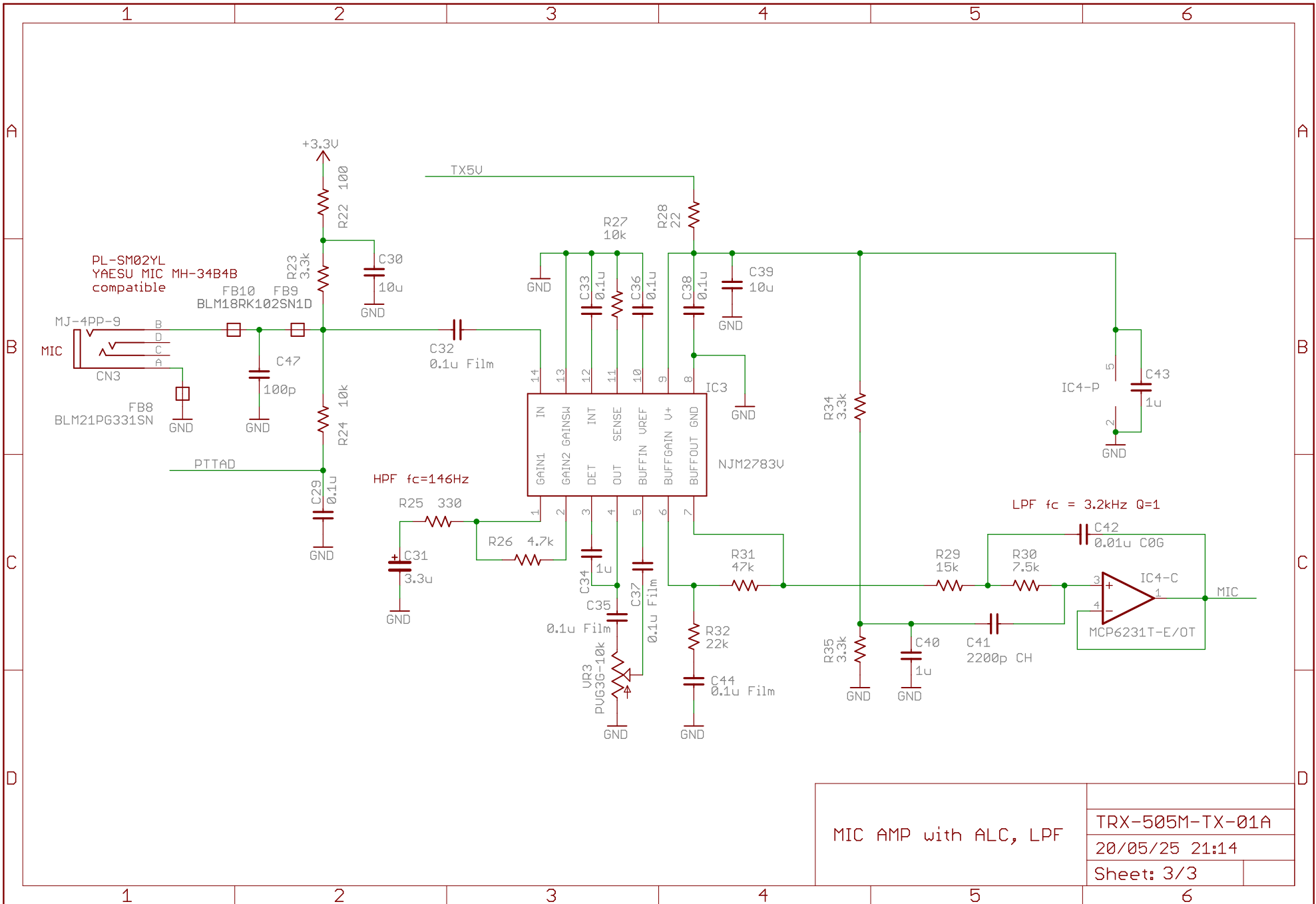


Connectors, Power Switch, Filter	TRX-505M-TX-01A
	20/05/25 21:14
	Sheet: 1/3



Amplitude Modulation (Base Modulation with NFB), 500mW Liner AMP	
TRX-505M-TX-01A	
20/05/25 21:14	
Sheet: 2/3	



MIC AMP with ALC, LPF	TRX-505M-TX-01A
	20/05/25 21:14
	Sheet: 3/3